



COC

Saniline



COC INC.

I-7-4 Hamaderashowa Nishiku
Sakai Osaka 592-8345 JAPAN
+81 72 267 2347
info@crossocean.com

COC
crossocean.com



Saniline stainless ball bearing units are designed for the future of food safety.



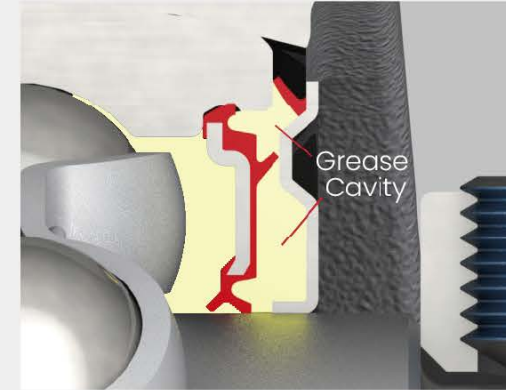
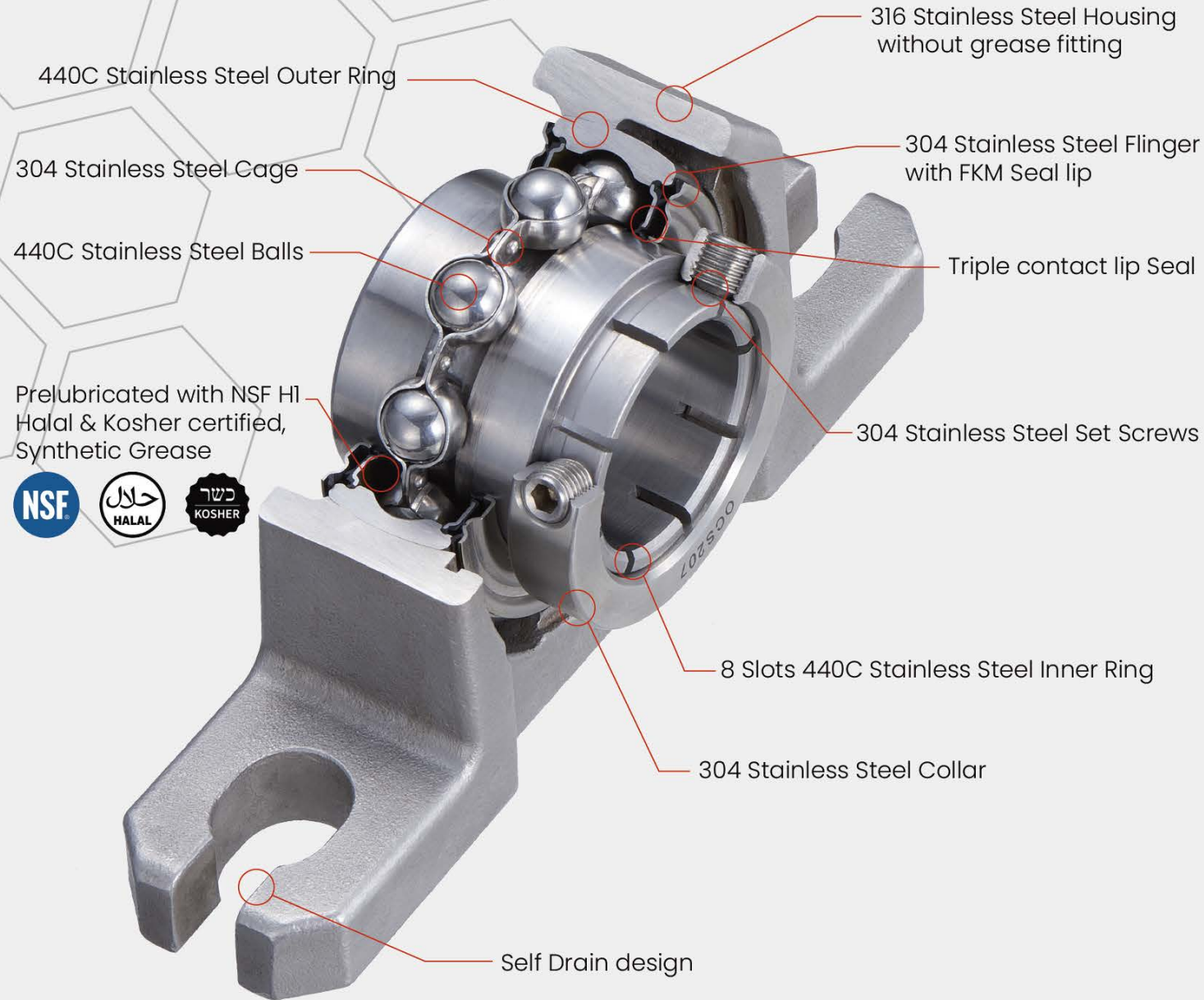
CONTENTS

FEATURES	3
NOMENCLATURE	10
OCCLOC™ UNITS	11
SET SCREW UNITS	33
SAFETY COVER	55
TECHNICAL	56



IP69K certified
Sanitary Food Grade design for
HACCP/HARPC compliance





Lubricated for life

COC's sealing system with stainless steel flinger is designed to withstand frequent high pressure wash-downs. The IP69K rating is for high pressure and high temperature washdown applications. Lubricated for life with NSF approved H1 food grade grease*, this maintenance free solution allows for better cleaning of machinery and more up-time. *(FUCHS CASSIDA GREASE GTS 2)



IP69K TEST

The water intrusion tests themselves are done by placing the product on a turntable with a rotational speed of 5 ±1 revolutions per minute. The product is then sprayed at close range at a rate of approximately 4 gallons/16 liters per minute with water pressure of between 1160-1450 psi, at a temperature of 176°F/80°C. The nozzle from which the water is sprayed is held between 4 and 6 inches from the product, at a variety of angles.

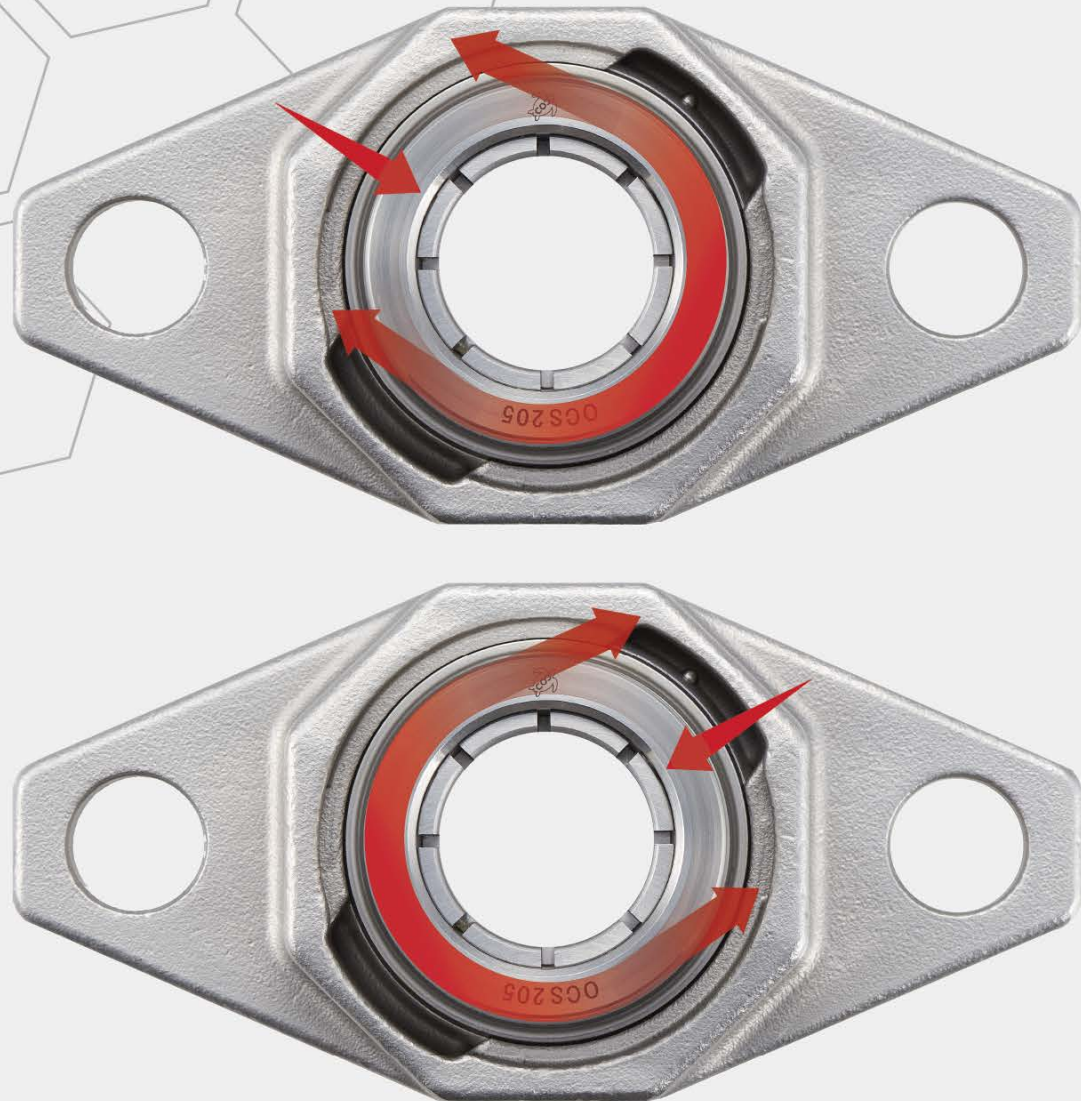
The IP69K rating provides protection against ingress of dust and high temperature, high pressure water – making products with this certification ideal for use in conditions where equipment must be carefully sanitized. The IP69K rating is the highest protection available.





OCCLOC™

8 SLOTS CONCENTRIC LOCKING SYSTEM



COC's original OCCLOC™ has two set screws that are located 120° apart on the locking collar over the 8 slotted inner ring. The locking collar pulls the far side of inner ring by tightening of the set screw.

OCCLOC™ doesn't make any marks on the shaft. The shaft can be very clean without any damage from the bearings. OCCLOC™ can clamp onto the undersized commercial shafting. OCCLOC™ saves you money by allowing you to use less expensive and the



- Easiest to install as easy as a set screw lock
- Can use commercial shafts (h9 fit)
- No damage to the shafting



IP69K + STAND-OFF HOUSINGS FOR CIP (CLEAN-IN-PLACE)



Ideally a smaller area of connect with the machine is a better way to eliminate bacteria harborage and our stand-off housings allow for clean-in-place (CIP) operation. They have mostly 1/2" stand-off clearance to meet HACCP/HARPC compliance.

STAINLESS STEEL SAFTY COVER EASY ON AND OFF



Although our IP69K certified units don't require the covers for the extra protection, the safety cover is available. Our stainless steel safety cover is very easy to install and uninstall to clean. It has two little tabs that fit into the bearing slots on the front of housing. Just twist the cover until it clicks to lock. The safety cover doesn't need to be sealed and it has two drain holes to reduce the heat and moisture inside the cover. As this is the relubrication-free design, there is no purging grease after a couple hours of initial operation. It's better to be washed and ventilated rather than allowing moisture to remain inside of the covers.



Scan QR code
To connect
the information below on site.

- Dimensions of scanned part number
- Installation instructions with videos
- Maintenance information

QR code has both the Web link & Serial Number of the scanned product.

Nomenclature

OC SP 205 - 16

LOCKING STYLE
OC - OCCLOC™
UC - Set screw

HOUSING STYLE
SP - Pillow Block SHP - Stand-Off Pillow Block
SPA - Tapped-Base SHPA - Stand-Off Tapped-Base
SFL - 2-Bolt Flange SHFL - Stand-Off 2-Bolt Flange
SF - 4-Bolt Flange SHF - Stand-Off 4-Bolt Flange
SFB - 3-Bolt Flange SHFB - Stand-Off 3-Bolt Flange
ST - Take-Up

BEARING NUMBER
205 (e.g. 05 = 25 mm)

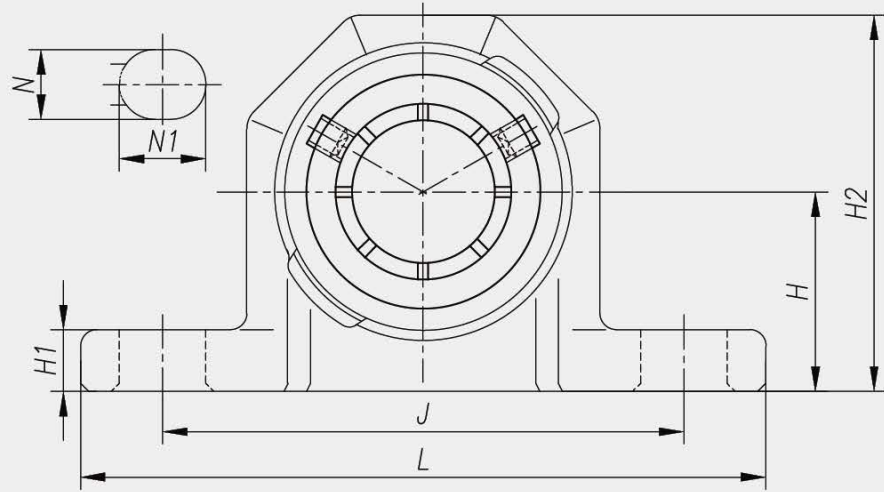
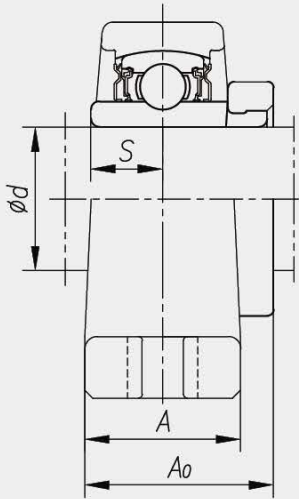
INCH SHAFT DIAMETER
Number of 1/16 inches (e.g. 16 = 1")





OCSP

OCCLOC™ stainless steel pillow block unit.

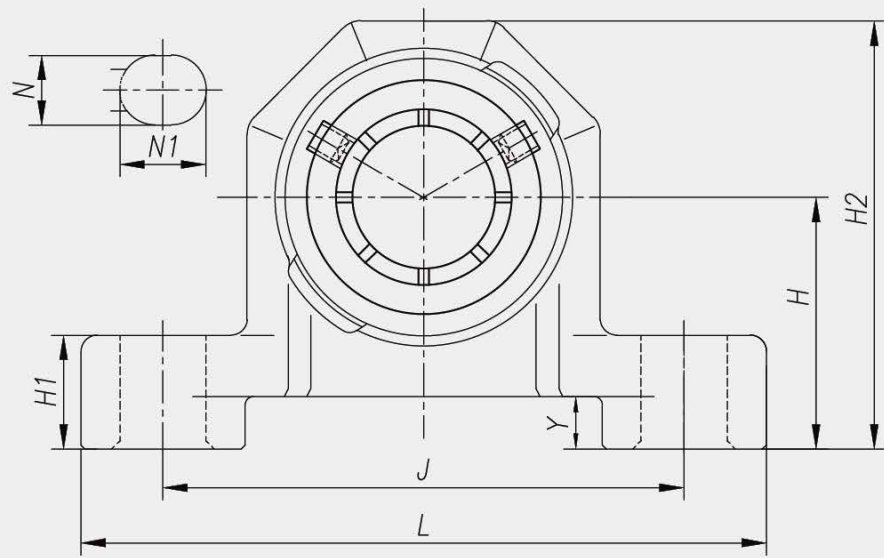
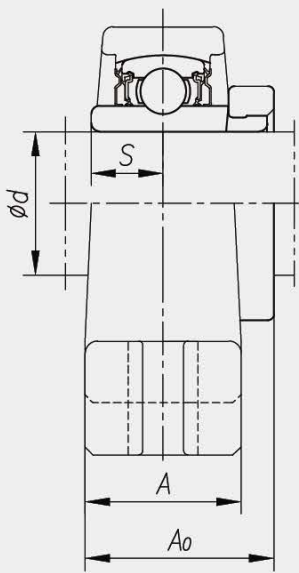


Unit Number	Shaft Dia. d	H	L	A	J	N	N1	H1	H2	A0	S	Bolt Size	Weight
		in. mm	in. mm	in. mm	in. mm	in. mm	in. mm	in. mm	in. mm	in. mm	in. mm	in. mm	in. mm
OCSP204-12M	12 mm												
OCSP204-8	1/2 in.												
OCSP204-15M	15 mm												
OCSP204-10	5/8 in.	1-5/16 33.3	5 127	1-3/16 30	3-3/4 95	1/2 13	23/32 18	7/16 11	2-7/16 61.8	1-3/8 34.8	1/2 12.7	3/8 M10	1.21 0.55
OCSP204-17M	17 mm												
OCSP204-12	3/4 in.												
OCSP204	20 mm												
OCSP205-14	7/8 in.												
OCSP205-15	15/16 in.	1-7/16 36.5	5-1/2 140	1-3/16 30	4-1/8 105	1/2 13	3/4 19	15/32 12	2-11/16 68	1-15/32 37.2	9/16 14.3	3/8 M10	1.74 0.79
OCSP205	25 mm												
OCSP205-16	1 in.												
OCSP206-18	1-1/8 in.												
OCSP206	30 mm	1-11/16 42.9	6-1/2 165	1-13/32 36	4-3/4 121	21/32 17	13/16 21	1/2 13	3-3/16 80.9	1-41/64 41.8	5/8 15.9	1/2 M14	2.67 1.21
OCSP206-19	1-3/16 in.												
OCSP206-20	1-1/4 in.												
OCSP207-20	1-1/4 in.												
OCSP207-21	1-5/16 in.												
OCSP207-22	1-3/8 in.	1-7/8 47.6	6-9/16 167	1-1/2 38	5 127	21/32 17	13/16 21	9/16 14	3-9/16 90.6	1-13/16 46	11/16 17.5	1/2 M14	3.48 1.58
OCSP207	35 mm												
OCSP207-23	1-7/16 in.												
OCSP208-24	1-1/2 in.	1-15/16 49.2	7-1/4 184	1-9/16 40	5-13/32 137	21/32 17	13/16 21	9/16 14	3-25/32 96.2	2-1/32 51.8	3/4 19	1/2 M14	4.03 1.83
OCSP208	40 mm												



OCSHP

OCCLOC™ stainless steel stand-off pillow block unit.

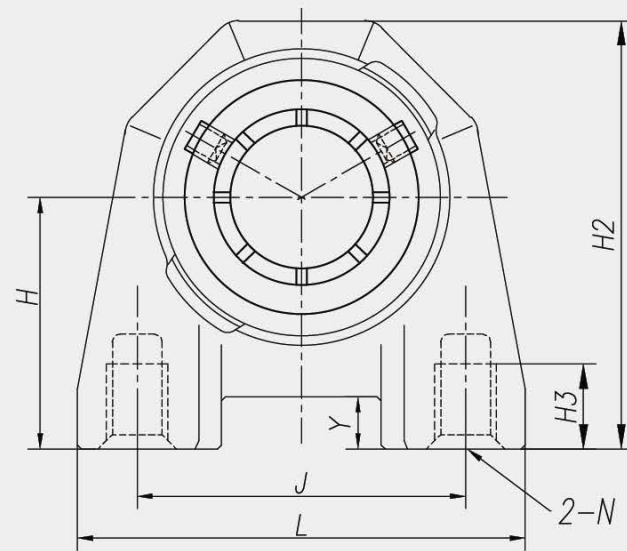
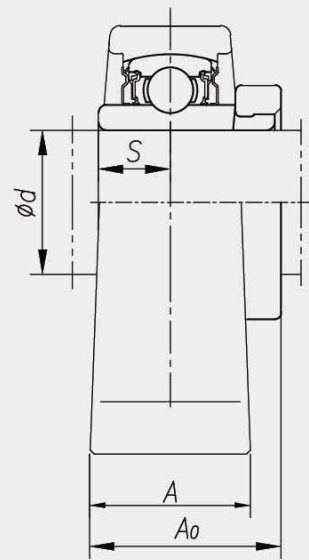


Unit Number	Shaft Dia. d	H	L	A	J	N	N1	H1	H2	A0	S	Y	Bolt Size	Weight
		in. mm	in. mm	in. mm	in. mm	in. mm	in. mm	in. mm	in. mm	in. mm	in. mm	in. mm	in. mm	in. mm
OCSHP204-12M	12 mm													
OCSHP204-8	1/2 in.													
OCSHP204-15M	15 mm													
OCSHP204-10	5/8 in.	1-13/16 46	5 127	1-3/16 30	3-3/4 95	1/2 13	23/32 18	15/16 23.7	2-15/16 74.5	1-3/8 34.8	1/2 12.7	1/2 12.7	3/8 M10	1.65 0.75
OCSHP204-17M	17 mm													
OCSHP204-12	3/4 in.													
OCSHP204	20 mm													
OCSHP205-14	7/8 in.													
OCSHP205-15	15/16 in.	1-15/16 49.2	5-1/2 140	1-3/16 30	4-1/8 105	1/2 13	3/4 19	31/32 24.7	3-3/16 80.7	1-15/32 37.2	9/16 14.3	1/2 12.7	3/8 M10	2.03 0.92
OCSHP205	25 mm													
OCSHP205-16	1 in.													
OCSHP206-18	1-1/8 in.													
OCSHP206	30 mm	2-3/16 55.6	6-1/2 165	1-13/32 36	4-3/4 121	21/32 17	13/16 21	1-1/64 25.7	3-11/16 93.6	1-41/64 41.8	5/8 15.9	1/2 12.7	1/2 M14	3.13 1.42
OCSHP206-19	1-3/16 in.													
OCSHP206-20	1-1/4 in.													
OCSHP207-20	1-1/4 in.													
OCSHP207-21	1-5/16 in.													
OCSHP207-22	1-3/8 in.	2-3/8 60.3	6-9/16 167	1-1/2 38	5 127	21/32 17	13/16 21	1-1/16 26.7	4-1/16 103.3	1-13/16 46	11/16 17.5	1/2 12.7	1/2 M14	3.95 1.79
OCSHP207	35 mm													
OCSHP207-23	1-7/16 in.													



OCSHPA

OCCLOC™ stainless steel tapped-base stand-off unit.

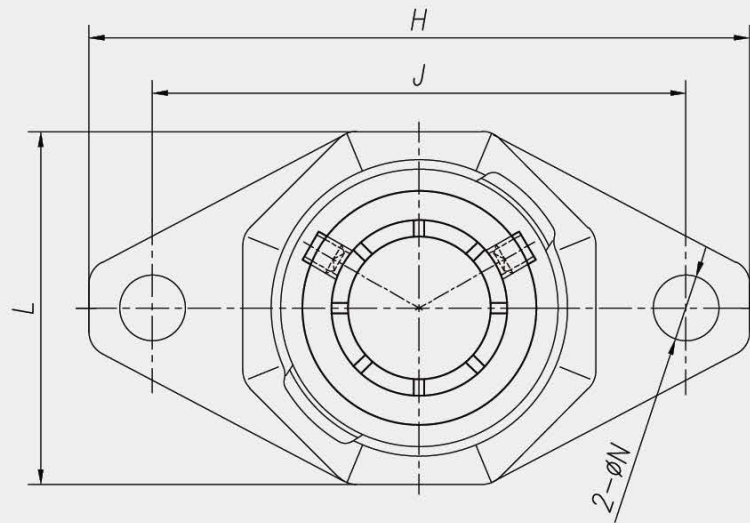
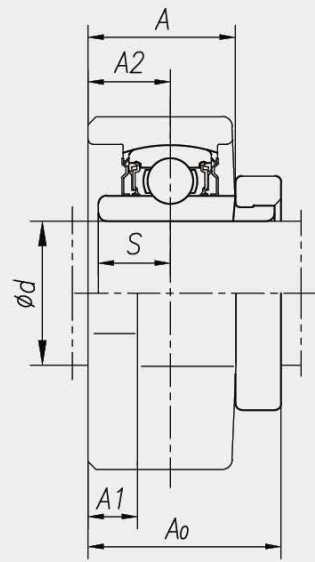


Unit Number	Shaft Dia. d	H	L	A	J	N	H2	H3	A0	S	Y	Weight
		in. mm	in. mm	in. mm	in. mm	in. mm	in. mm	in. mm	in. mm	in. mm	in. mm	lbs kg
OCSHPA205-14	7/8 in.	1-15/16 49.2	3-5/16 84	1-3/16 30	2 50.8	3/8-16UNC	3-3/16 80.7	33/64 13	1-15/32 37.2	9/16 14.3	1/2 12.7	1.98 0.90
OCSHPA205-15	15/16 in.											
OCSHPA205	25 mm											
OCSHPA205-16	1 in.	2-3/16 55.6	3-25/32 96	1-13/32 36	3 76.2	7/16-14UNC	3-11/16 93.6	45/64 18	1-41/64 41.8	5/8 15.9	1/2 12.7	3.00 1.36
OCSHPA206-18	1-1/8 in.											
OCSHPA206	30 mm											
OCSHPA206-19	1-3/16 in.	2-3/8 60.3	3-11/32 110	1-1/2 38	3-1/4 82.6	1/2-13UNC	4-1/16 103.3	25/32 20	1-13/16 46	11/16 17.5	1/2 12.7	3.92 1.78
OCSHPA206-20	1-1/4 in.											
OCSHPA207-20	1-1/4 in.											
OCSHPA207-21	1-5/16 in.	1-7/16 in.	1-7/16 in.	1-7/16 in.	1-7/16 in.	1-7/16 in.	1-7/16 in.	1-7/16 in.	1-7/16 in.	1-7/16 in.	1-7/16 in.	1-7/16 in.
OCSHPA207-22	1-3/8 in.											
OCSHPA207	35 mm											
OCSHPA207-23	1-7/16 in.											



OCSFL

OCCLOC™ stainless steel
2-bolt flange unit.

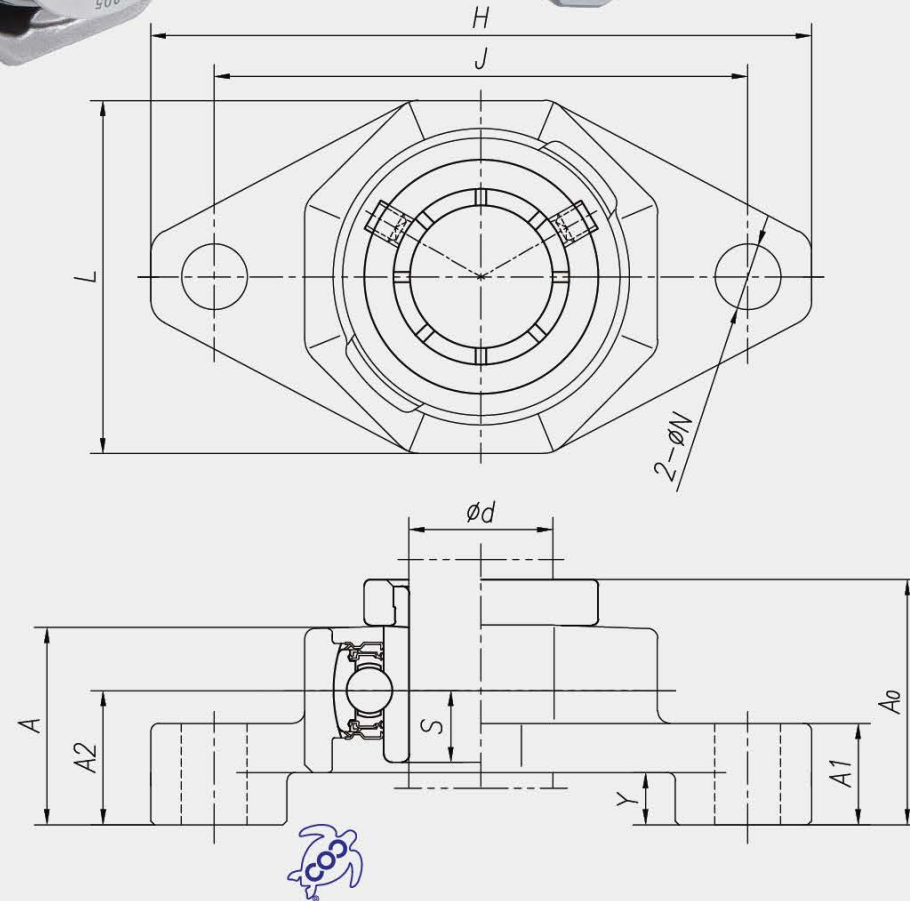


Unit Number	Shaft Dia. d	H	L	A	J	N	A1	A2	A0	S	Bolt Size	Weight
		in. mm	in. mm	in. mm	in. mm	in. mm	in. mm	in. mm	in. mm	in. mm	in. mm	lbs kg
OCSFL204-12M	12 mm											
OCSFL204-8	1/2 in.											
OCSFL204-15M	15 mm											
OCSFL204-10	5/8 in.	4-7/16 113	2-9/32 58	1-3/32 28	3-35/64 90	15/32 12	13/32 10	19/32 15	1-13/32 35.6	1/2 12.7	3/8 M10	1.19 0.54
OCSFL204-17M	17 mm											
OCSFL204-12	3/4 in.											
OCSFL204	20 mm											
OCSFL205-14	7/8 in.											
OCSFL205-15	15/16 in.	5-1/8 130	2-15/32 63	1-3/16 30	3-57/64 99	5/8 16	13/32 10	5/8 16	1-1/2 38.2	9/16 14.3	1/2 M14	1.46 0.66
OCSFL205	25 mm											
OCSFL205-16	1 in.											
OCSFL206-18	1-1/8 in.											
OCSFL206	30 mm	5-13/16 148	3 76	1-9/32 32.5	4-19/32 117	5/8 16	13/32 10	45/64 18	1-41/64 41.8	5/8 15.9	1/2 M14	2.23 1.01
OCSFL206-19	1-3/16 in.											
OCSFL206-20	1-1/4 in.											
OCSFL207-20	1- 1/4 in.											
OCSFL207-21	1-5/16 in.											
OCSFL207-22	1-3/8 in.	6-11/32 161	3-3/8 86	1-11/32 34	5-1/8 130	5/8 16	7/16 11	3/4 19	1-13/16 46	11/16 17.5	1/2 M14	2.89 1.31
OCSFL207	35 mm											
OCSFL207-23	1-7/16 in.											
OCSFL208-24	1-1/2 in.	6-7/8 175	3-11/16 94	1-15/32 37.5	5-43/64 144	5/8 16	15/32 12	53/64 21	2-5/64 52.7	3/4 19	1/2 M14	3.76 1.71
OCSFL208	40 mm											



OCSHFL

OCCLOC™ stainless steel
2-bolt flange stand-off unit.



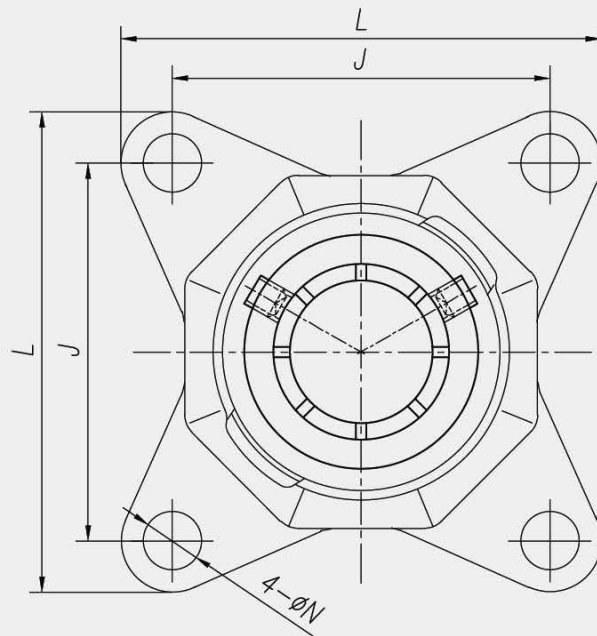
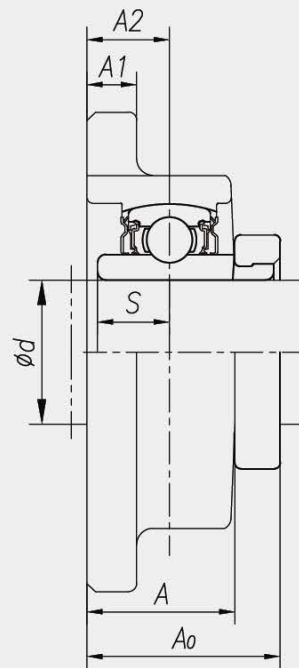
Unit Number	Shaft Dia. d	H	L	A	J	N	A1	A2	A0	S	Y	Bolt Size	Weight
		in. mm	in. mm	in. mm	in. mm	in. mm	in. mm	in. mm	in. mm	in. mm	in. mm	in. mm	in. mm
OCSHFL204-12M	12 mm	4-7/16 113	2-9/32 58	1-19/32 40.7	3-35/64 90	15/32 12	57/64 22.7	1-3/32 27.7	1-29/32 48.3	1/2 12.7	1/2 12.7	3/8 M10	1.37 0.62
OCSHFL204-8	1/2 in.												
OCSHFL204-15M	15 mm												
OCSHFL204-10	5/8 in.												
OCSHFL204-17M	17 mm												
OCSHFL204-12	3/4 in.												
OCSHFL204	20 mm												
OCSHFL205-14	7/8 in.	5-1/8 130	2-15/32 63	1-11/16 42.7	3-57/64 99	5/8 16	57/64 22.7	1-1/8 28.7	2 50.9	9/16 14.3	1/2 12.7	1/2 M14	1.72 0.78
OCSHFL205-15	15/16 in.												
OCSHFL205	25 mm												
OCSHFL205-16	1 in.	5-13/16 148	3 76	1-25/32 45.2	4-19/32 117	5/8 16	57/64 22.7	1-13/64 30.7	2-9/64 54.5	5/8 15.9	1/2 12.7	1/2 M14	2.49 1.13
OCSHFL206-18	1-1/8 in.												
OCSHFL206	30 mm												
OCSHFL206-19	1-3/16 in.												
OCSHFL206-20	1-1/4 in.	6-11/32 161	3-3/8 86	1-27/32 46.7	5-1/8 130	5/8 16	15/16 23.7	1-1/4 31.7	2-5/16 58.7	11/16 17.5	1/2 12.7	1/2 M14	3.17 1.44
OCSHFL207-20	1-1/4 in.												
OCSHFL207-21	1-5/16 in.												
OCSHFL207-22	1-3/8 in.												
OCSHFL207	35 mm												
OCSHFL207-23	1-7/16 in.												





OCSF

OCCLOC™ stainless steel
4-bolt flange unit.



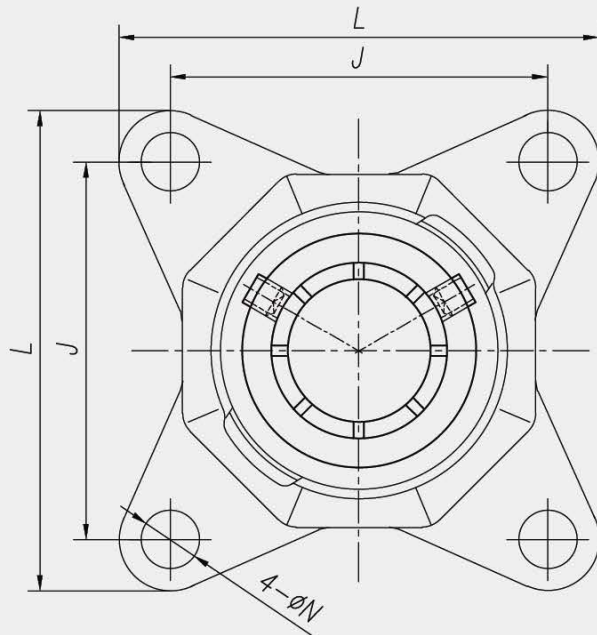
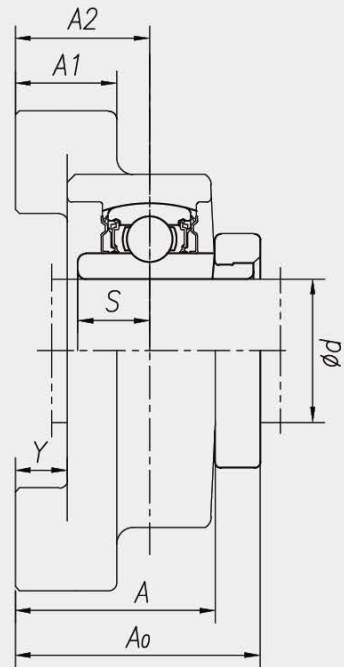
Unit Number	Shaft Dia. d	L	A	J	N	A1	A2	A0	S	Bolt Size	Weight
		in. mm	in. mm	in. mm	in. mm	in. mm	in. mm	in. mm	in. mm	in. mm	lbs kg
OCSF204-12M	12 mm										
OCSF204-8	1/2 in.										
OCSF204-15M	15 mm										
OCSF204-10	5/8 in.	3-3/8 86	1-3/32 28	2-33/64 64	15/32 12	13/32 10	19/32 15	1-13/32 35.6	1/2 12.7	3/8 M10	1.26 0.57
OCSF204-17M	17 mm										
OCSF204-12	3/4 in.										
OCSF204	20 mm										
OCSF205-14	7/8 in.										
OCSF205-15	15/16 in.	3-3/4 95	1-3/16 30	2-3/4 70	15/32 12	13/32 10	5/8 16	1-1/2 38.2	9/16 14.3	3/8 M10	1.59 0.72
OCSF205	25 mm										
OCSF205-16	1 in.										
OCSF206-18	1-1/8 in.										
OCSF206	30 mm	4-1/4 108	1-9/32 32.5	3-17/64 83	15/32 12	13/32 10	45/64 18	1-41/64 41.8	5/8 15.9	3/8 M10	2.31 1.05
OCSF206-19	1-3/16 in.										
OCSF206-20	1-1/4 in.										
OCSF207-20	1-1/4 in.										
OCSF207-21	1-5/16 in.										
OCSF207-22	1-3/8 in.	4-19/32 117	1-11/32 34	3-5/8 92	35/64 14	7/16 11	3/4 19	1-13/16 46	11/16 17.5	7/16 M12	3.00 1.36
OCSF207	35 mm										
OCSF207-23	1-7/16 in.										
OCSF208-24	1-1/2 in.	5-1/8 130	1-15/32 37.5	4-1/64 102	5/8 16	15/32 12	53/64 21	2-5/64 52.8	3/4 19	1/2 M14	4.01 1.82
OCSF208	40 mm										





OCSHF

OCCLOC™ stainless steel
4-bolt flange stand-off unit.



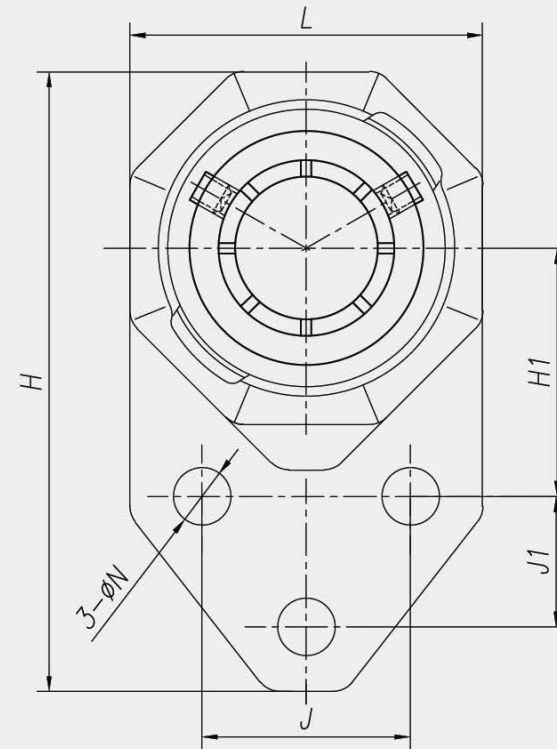
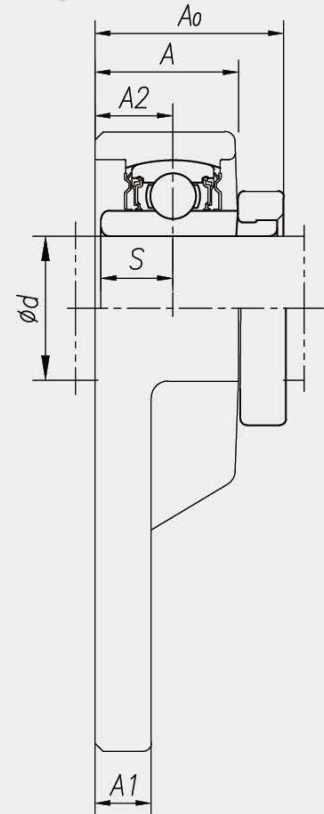
Unit Number	Shaft Dia. d	L	A	J	N	A1	A2	A0	S	Y	Bolt Size	Weight
		in. mm	in. mm	in. mm	in. mm	in. mm	in. mm	in. mm	in. mm	in. mm	in. mm	in. mm
OCSHF204-12M	12 mm											
OCSHF204-8	1/2 in.											
OCSHF204-15M	15 mm											
OCSHF204-10	5/8 in.	3-3/8 86	1-19/32 40.7	2-33/64 64	15/32 12	57/64 22.7	1-3/32 27.7	1-29/32 48.3	1/2 12.7	1/2 12.7	3/8 M10	1.46 0.66
OCSHF204-17M	17 mm											
OCSHF204-12	3/4 in.											
OCSHF204	20 mm											
OCSHF205-14	7/8 in.											
OCSHF205-15	15/16 in.	3-3/4 95	1-11/16 42.7	2-3/4 70	15/32 12	57/64 22.7	1-1/8 28.7	2 50.9	9/16 14.3	1/2 12.7	3/8 M10	1.87 0.85
OCSHF205	25 mm											
OCSHF205-16	1 in.											
OCSHF206-18	1-1/8 in.											
OCSHF206	30 mm											
OCSHF206-19	1-3/16 in.	4-1/4 108	1-25/32 45.2	3-17/64 83	15/32 12	57/64 22.7	1-13/64 30.7	2-9/64 54.5	5/8 15.9	1/2 12.7	3/8 M10	2.65 1.20
OCSHF206-20	1-1/4 in.											
OCSHF207-20	1-1/4 in.											
OCSHF207-21	1-5/16 in.											
OCSHF207-22	1-3/8 in.	4-19/32 117	1-27/32 46.7	3-5/8 92	35/64 14	15/16 23.7	1-1/4 31.7	2-5/16 58.7	11/16 17.5	1/2 12.7	7/16 M12	3.31 1.50
OCSHF207	35 mm											
OCSHF207-23	1-7/16 in.											
OCSHF208-24	1-1/2 in.	5-1/8 130	1-63/64 50.2	4-1/64 102	5/8 16	31/32 24.7	1-21/64 33.7	2-37/64 65.5	3/4 19	1/2 12.7	1/2 M14	4.26 1.93
OCSHF208	40 mm											





OCSFB

OCCLOC™ stainless steel 3-bolt flange unit.



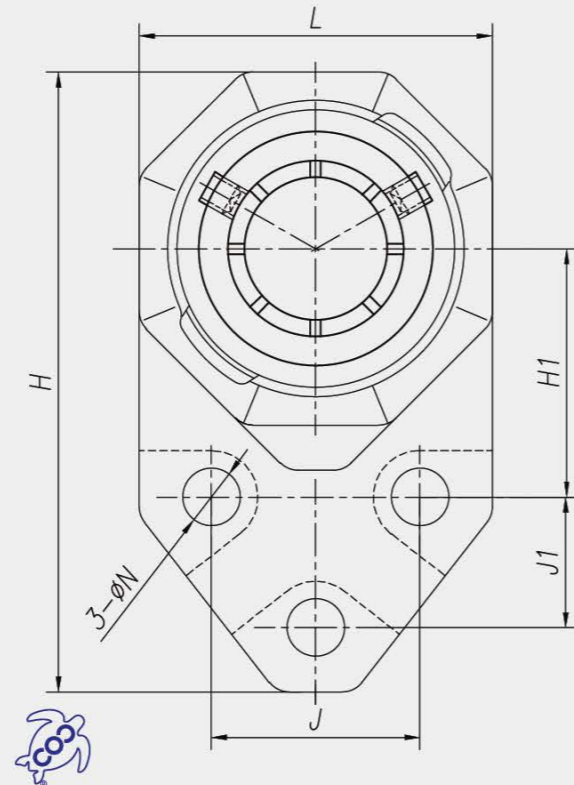
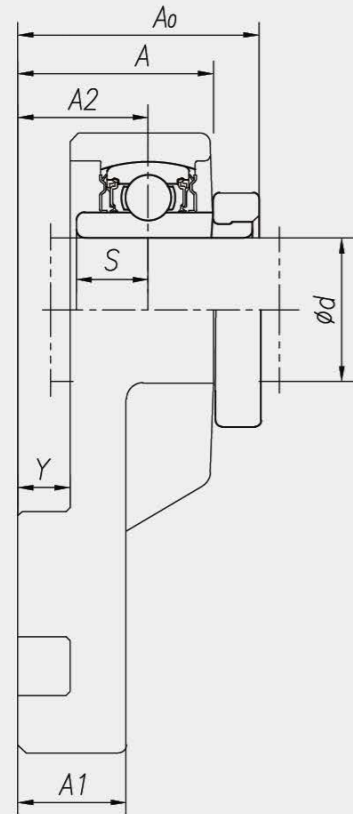
Unit Number	Shaft Dia. d	H	L	A	J	J1	H1	N	A1	A2	A0	S	Bolt Size	Weight
		in. mm	in. mm	in. mm	in. mm	in. mm	in. mm	in. mm	in. mm	in. mm	in. mm	in. mm	in. mm	in. mm
OCSFB204-12M	12 mm													
OCSFB204-8	1/2 in.													
OCSFB204-15M	15 mm													
OCSFB204-10	5/8 in.	4-1/8 105	2-9/32 58	1-3/64 26.5	1-1/2 38.1	7/8 22.2	1-11/16 42.9	15/32 12	5/16 8	17/32 13.5	1-11/32 34.1	1/2 12.7	3/8 M10	1.15 0.52
OCSFB204-17M	17 mm													
OCSFB204-12	3/4 in.													
OCSFB204	20 mm													
OCSFB205-14	7/8 in.													
OCSFB205-15	15/16 in.	4-39/64 117	2-15/32 63	1-9/64 29	1-5/8 41.3	1-1/8 28.6	1-13/16 46	15/32 12	13/32 10	19/32 15	1-15/32 37.2	9/16 14.3	3/8 M10	1.57 0.71
OCSFB205	25 mm													
OCSFB205-16	1 in.													
OCSFB206-18	1-1/8 in.													
OCSFB206	30 mm	5-15/64 133	3 76	1-15/64 31.5	1-7/8 47.6	1-1/4 31.8	2-1/16 52.4	15/32 12	13/32 10	21/32 17	1-19/32 40.8	5/8 15.9	3/8 M10	2.27 1.03
OCSFB206-19	1-3/16 in.													
OCSFB206-20	1-1/4 in.													
OCSFB207-20	1-1/4 in.													
OCSFB207-21	1-5/16 in.													
OCSFB207-22	1-3/8 in.	5-15/16 151	3-3/8 86	1-11/32 34	2 50.8	1-1/4 31.8	2-3/8 60.3	19/32 15	1/2 12.7	3/4 19	1-13/16 46	11/16 17.5	1/2 M14	3.33 1.51
OCSFB207	35 mm													
OCSFB207-23	1-7/16 in.													





OCSHFB

OCCLOC™ stainless steel
3-bolt stand-off flange unit.

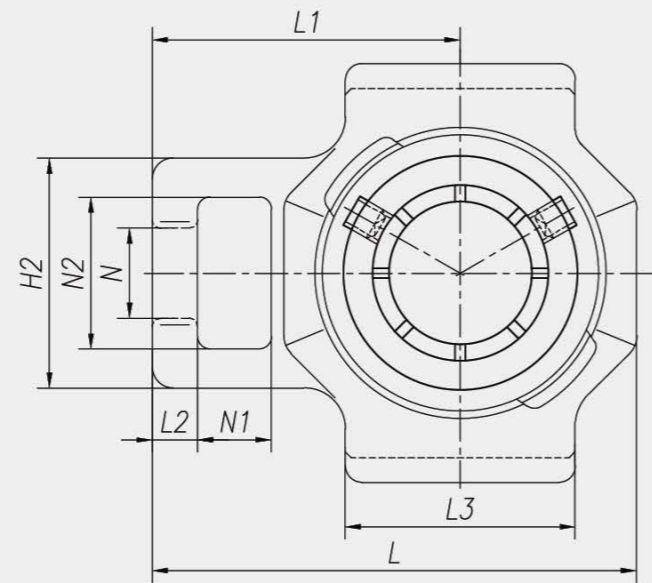
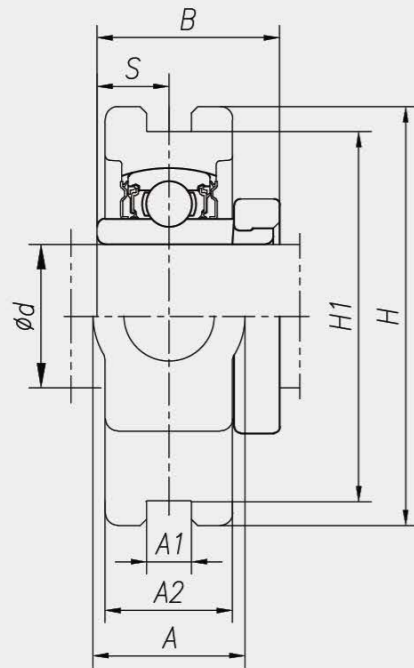


Unit Number	Shaft Dia. d	H	L	A	J	J1	H1	N	A1	A2	A0	S	Y	Bolt Size	Weight
		in. mm	in. mm	in. mm	in. mm	in. mm	in. mm	in. mm	in. mm	in. mm	in. mm	in. mm	in. mm	in. mm	in. mm
OCSHFB204-12M	12 mm														
OCSHFB204-8	1/2 in.														
OCSHFB204-15M	15 mm														
OCSHFB204-10	5/8 in.	4-1/8 105	2-9/32 58	1-35/64 39.2	1-1/2 38.1	7/8 22.2	1-11/16 42.9	15/32 12	13/16 20.7	1-1/32 26.2	1-27/32 46.8	1/2 12.7	1/2 12.7	3/8 M10	1.37 0.62
OCSHFB204-17M	17 mm														
OCSHFB204-12	3/4 in.														
OCSHFB204	20 mm														
OCSHFB205-14	7/8 in.														
OCSHFB205-15	15/16 in.	4-39/64 117	2-15/32 63	1-41/64 41.7	1-5/8 41.3	1-1/8 28.6	1-13/16 46	15/32 12	57/64 22.7	1-3/32 27.7	1-31/32 49.9	9/16 14.3	1/2 12.7	3/8 M10	1.70 0.77
OCSHFB205	25 mm														
OCSHFB205-16	1 in.														
OCSHFB206-18	1-1/8 in.														
OCSHFB206	30 mm	5-15/64 133	3 76	1-3/4 44.2	1-7/8 47.6	1-1/4 31.8	2-1/16 52.4	15/32 12	57/64 22.7	1-11/64 29.7	2-7/64 53.5	5/8 15.9	1/2 12.7	3/8 M10	2.60 1.18
OCSHFB206-19	1-3/16 in.														
OCSHFB206-20	1-1/4 in.														
OCSHFB207-20	1-1/4 in.														
OCSHFB207-21	1-5/16 in.														
OCSHFB207-22	1-3/8 in.	5-15/16 151	3-3/8 86	1-27/32 46.7	2 50.8	1-1/4 31.8	2-3/8 60.3	19/32 15	1 25.4	1-1/4 31.7	2-5/16 58.7	11/16 17.5	1/2 12.7	1/2 M14	3.68 1.67
OCSHFB207	35 mm														
OCSHFB207-23	1-7/16 in.														



OCST

OCCLOC™ stainless steel take-up unit.

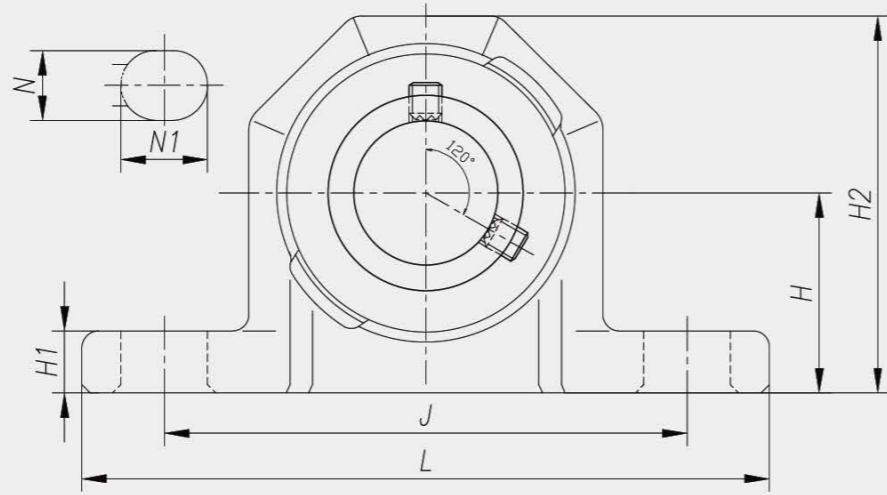
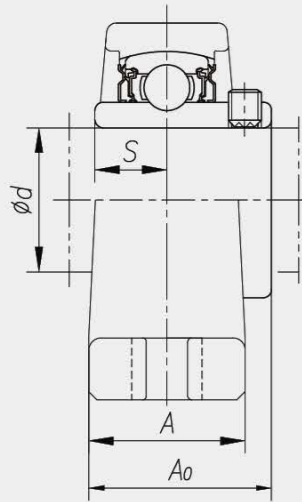


Unit Number	Shaft Dia. d	A	A1	A2	H	H1	H2	L	L1	L2	L3	N	N1	N2	B	S	Weight	
		in. mm	in. mm	in. mm	in. mm	in. mm	in. mm	in. mm	in. mm	in. mm	in. mm	in. mm	in. mm	in. mm	in. mm	in. mm	in. mm	lbs kg
OCST205-14	7/8 in.																	
OCST205-15	15/16 in.	1-1/4	15/32	31/32	3-1/2	2-63/64	1-13/16	3-19/32	2-3/8	11/32	1-23/32	3/4	23/32	1-1/4	1-7/16	9/16	1.87	
OCST205	25 mm	32	12	25	89	76	46	91.5	60	9	44	19	18	32	36.4	14.3	0.85	
OCST205-16	1 in.																	
OCST206-18	1-1/8 in.																	
OCST206	30 mm	1-15/32	15/32	1-1/16	4-1/32	3-1/2	2-1/16	4-1/8	2-5/8	11/32	1-31/32	7/8	23/32	1-15/32	1-19/32	5/8	2.60	
OCST206-19	1-3/16 in.	37	12	27	102	89	52	105	67	9	50	22	18	37	40.4	15.9	1.18	
OCST206-20	1-1/4 in.																	
OCST207-20	1-1/4 in.																	
OCST207-21	1-5/16 in.																	
OCST207-22	1-3/8 in.	1-15/32	15/32	1-7/32	4-1/32	3-1/2	2-7/32	4-21/32	2-15/16	7/16	2-7/32	7/8	23/32	1-15/32	1-3/4	11/16	3.37	
OCST207	35 mm	37	12	31	102	89	56	118	75	11	56	22	18	37	44.5	17.5	1.53	
OCST207-23	1-7/16 in.																	



UCSP

Set screw lock stainless steel pillow block unit.



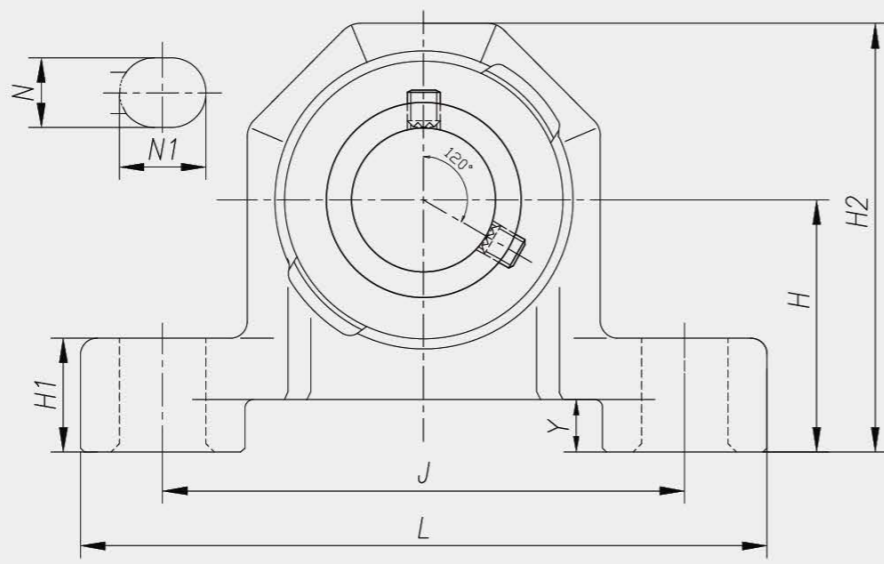
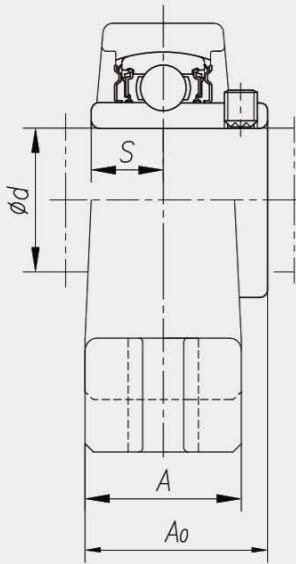
Unit Number	Shaft Dia. d	H	L	A	J	N	N1	H1	H2	A0	S	Bolt Size	Weight
		in. mm	in. mm	in. mm	in. mm	in. mm	in. mm	in. mm	in. mm	in. mm	in. mm	in. mm	in. mm
UCSP204-12M	12 mm												
UCSP204-8	1/2 in.												
UCSP204-15M	15 mm												
UCSP204-10	5/8 in.	1-5/16 33.3	5 127	1-3/16 30	3-3/4 95	1/2 13	23/32 18	7/16 11	2-7/16 61.8	1-5/16 33.3	1/2 12.7	3/8 M10	1.41 0.64
UCSP204-17M	17 mm												
UCSP204-12	3/4 in.												
UCSP204	20 mm												
UCSP205-14	7/8 in.												
UCSP205-15	15/16 in.	1-7/16 36.5	5-1/2 140	1-3/16 30	4-1/8 105	1/2 13	3/4 19	15/32 12	2-11/16 68	1-3/8 34.8	9/16 14.3	3/8 M10	1.61 0.73
UCSP205	25 mm												
UCSP205-16	1 in.												
UCSP206-18	1-1/8 in.												
UCSP206	30 mm	1-11/16 42.9	6-1/2 165	1-13/32 36	4-3/4 121	21/32 17	13/16 21	1/2 13	3-3/16 80.9	1-37/64 40.2	5/8 15.9	1/2 M14	2.80 1.27
UCSP206-19	1-3/16 in.												
UCSP206-20	1-1/4 in.												
UCSP207-20	1-1/4 in.												
UCSP207-21	1-5/16 in.												
UCSP207-22	1-3/8 in.	1-7/8 47.6	6-9/16 167	1-1/2 38	5 127	21/32 17	13/16 21	9/16 14	3-9/16 90.6	1-3/4 44.4	11/16 17.5	1/2 M14	3.19 1.45
UCSP207	35 mm												
UCSP207-23	1-7/16 in.												
UCSP208-24	1-1/2 in.	1-15/16 49.2	7-1/4 184	1-9/16 40	5-13/32 137	21/32 17	13/16 21	9/16 14	3-25/32 96.2	2-63/64 50.2	3/4 19	1/2 M14	3.92 1.78
UCSP208	40 mm												





UCSHP

Set screw lock stainless steel stand-off pillow block unit.



Unit Number	Shaft Dia. d	H	L	A	J	N	N1	H1	H2	A0	S	Y	Bolt Size	Weight
		in. mm	in. mm	in. mm	in. mm	in. mm	in. mm	in. mm	in. mm	in. mm	in. mm	in. mm	in. mm	in. mm
UCSHP204-12M	12 mm	1-13/16 46	5 127	1-3/16 30	3-3/4 95	1/2 13	23/32 18	15/16 23.7	2-15/16 74.5	1-5/16 33.3	1/2 12.7	1/2 12.7	3/8 M10	1.47 0.67
UCSHP204-8	1/2 in.													
UCSHP204-15M	15 mm													
UCSHP204-10	5/8 in.													
UCSHP204-17M	17 mm													
UCSHP204-12	3/4 in.													
UCSHP204	20 mm													
UCSHP205-14	7/8 in.	1-15/16 49.2	5-1/2 140	1-3/16 30	4-1/8 105	1/2 13	3/4 19	31/32 24.7	3-3/16 80.7	1-3/8 34.8	9/16 14.3	1/2 12.7	3/8 M10	1.69 0.77
UCSHP205-15	15/16 in.													
UCSHP205	25 mm													
UCSHP205-16	1 in.													
UCSHP206-18	1-1/8 in.	2-3/16 55.6	6-1/2 165	1-13/32 36	4-3/4 121	21/32 17	13/16 21	1-1/64 25.7	3-11/16 93.6	1-37/64 40.2	5/8 15.9	1/2 12.7	1/2 M14	2.93 1.33
UCSHP206	30 mm													
UCSHP206-19	1-3/16 in.													
UCSHP206-20	1-1/4 in.													
UCSHP207-20	1-1/4 in.	2-3/8 60.3	6-9/16 167	1-1/2 38	5 127	21/32 17	13/16 21	1-1/16 26.7	4-1/16 103.3	1-3/4 44.4	11/16 17.5	1/2 12.7	1/2 M14	3.34 1.52
UCSHP207-21	1-5/16 in.													
UCSHP207-22	1-3/8 in.													
UCSHP207	35 mm													
UCSHP207-23	1-7/16 in.													



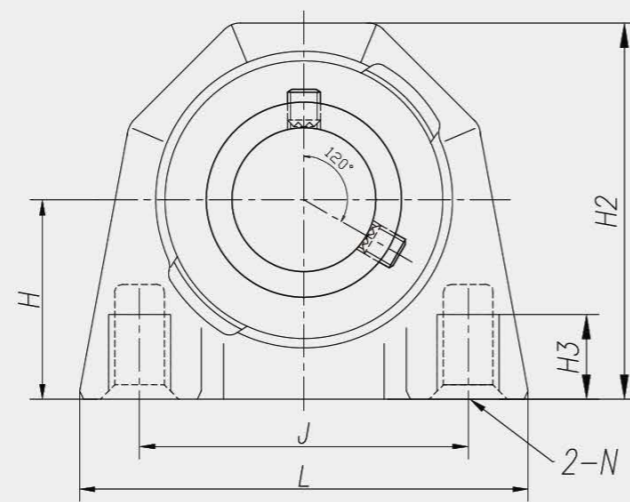
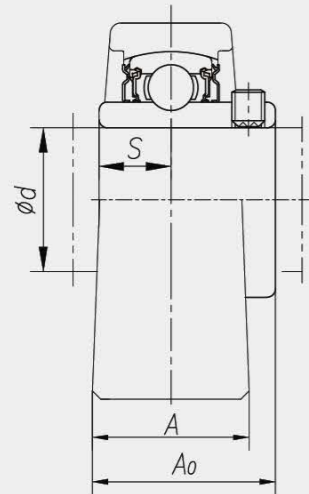


UCSPA

Set screw lock stainless steel tapped-base unit.

UCSPAM

Set screw lock stainless steel tapped-base unit with metric dimensions



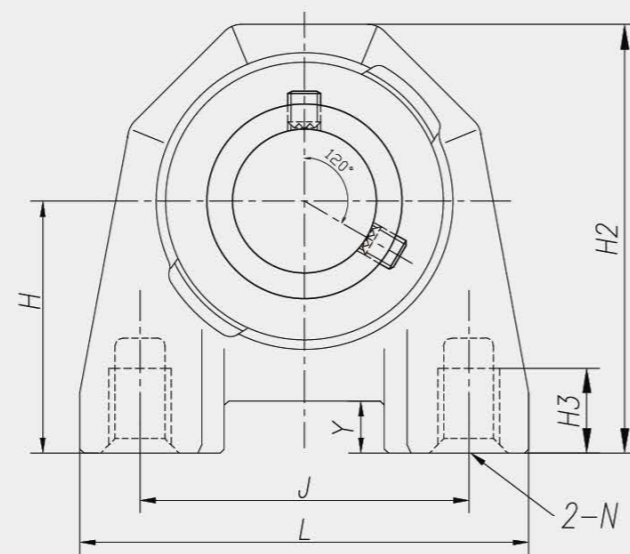
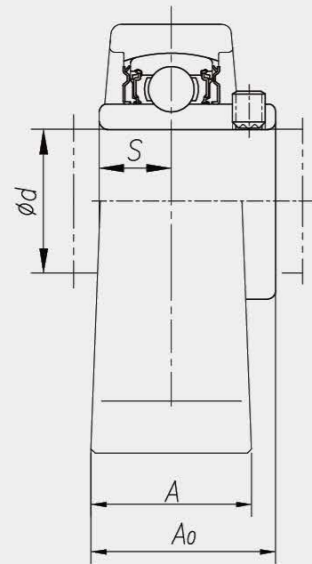
Unit Number	Shaft Dia. d	H	L	A	J	N	H2	H3	A0	S	Weight
		in. mm	in. mm	in. mm	in. mm	in. mm	in. mm	in. mm	in. mm	in. mm	in. mm
UCSPA204-8	1/2 in.	1-5/16 33.3	3 76	1-3/16 30	2 50.8	3/8-16UNC	2-5/16 58.7	33/64 13	1-5/16 33.3	1/2 12.7	0.99 0.45
UCSPA204-10	5/8 in.										
UCSPA204-12	3/4 in.										
UCSPA204	20 mm										
UCSPA205-14	7/8 in.	1-7/16 36.5	3-5/16 84	1-3/16 30	2 50.8	3/8-16UNC	2-11/16 68	33/64 13	1-3/8 34.8	9/16 14.3	1.32 0.60
UCSPA205-15	15/16 in.										
UCSPA205	25 mm										
UCSPA205-16	1 in.										
UCSPA206-18	1-1/8 in.	1-11/16 42.9	3-27/32 98	1-13/32 36	3 76.2	7/16-14UNC	3-3/16 80.9	45/64 18	1-37/64 40.2	5/8 15.9	1.91 0.87
UCSPA206	30 mm										
UCSPA206-19	1-3/16 in.										
UCSPA206-20	1-1/4 in.										
UCSPA207-20	1-1/4 in.	1-7/8 47.6	3-11/32 110	1-1/2 38	3-1/4 82.6	1/2-13UNC	3-9/16 90.6	25/32 20	1-3/4 44.4	11/16 17.5	2.90 1.32
UCSPA207-21	1-5/16 in.										
UCSPA207-22	1-3/8 in.										
UCSPA207	35 mm										
UCSPA207-23	1-7/16 in.										

Unit Number	Shaft Dia. d	H	L	A	J	N	H2	H3	A0	S	Weight
		mm	mm	mm	mm	mm	mm	mm	mm	mm	lbs kg
UCSPAM204-12M	12 mm	30.2	74	30	52	M10×1.5	58.7	13	33.3	12.7	0.99 0.45
UCSPAM204-15M	15 mm										
UCSPAM204-17M	17 mm										
UCSPAM204	20 mm										
UCSPAM205	25 mm	36.5	84	30	56	M10×1.5	68	13	34.8	14.3	1.32 0.60
UCSPAM206	30 mm	42.9	98	36	66	M14×2	80.9	18	40.2	15.9	1.91 0.87
UCSPAM207	35 mm	47.6	110	38	80	M14×2	90.6	20	44.4	17.5	2.90 1.32



UCSHPA

Set screw lock stainless steel tapped-base stand-off unit.

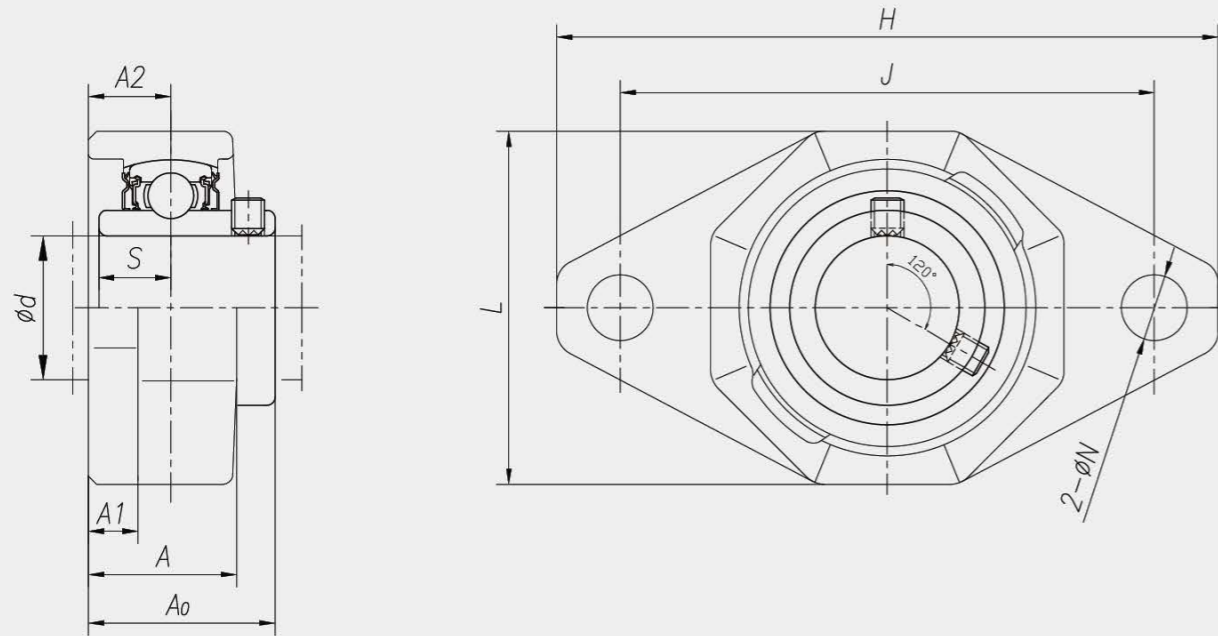


Unit Number	Shaft Dia. d	H	L	A	J	N	H2	H3	A0	S	Y	Weight
		in. mm	in. mm	in. mm	in. mm	in. mm	in. mm	in. mm	in. mm	in. mm	in. mm	lbs kg
UCSHPA205-14	7/8 in.	1-15/16 49.2	3-5/16 84	1-3/16 30	2 50.8	3/8-16UNC	3-3/16 80.7	33/64 13	1-3/8 34.8	9/16 14.3	1/2 12.7	1.72 0.78
UCSHPA205-15	15/16 in.											
UCSHPA205	25 mm											
UCSHPA205-16	1 in.	2-3/16 55.6	3-25/32 96	1-13/32 36	3 76.2	7/16-14UNC	3-11/16 93.6	45/64 18	1-37/64 40.2	5/8 15.9	1/2 12.7	2.38 1.08
UCSHPA206-18	1-1/8 in.											
UCSHPA206	30 mm											
UCSHPA206-19	1-3/16 in.											
UCSHPA206-20	1-1/4 in.	2-3/8 60.3	3-11/32 110	1-1/2 38	3-1/4 82.6	1/2-13UNC	4-1/16 103.3	25/32 20	1-3/4 44.4	11/16 17.5	1/2 12.7	3.52 1.63
UCSHPA207-20	1-1/4 in.											
UCSHPA207-21	1-5/16 in.											
UCSHPA207-22	1-3/8 in.											
UCSHPA207	35 mm											
UCSHPA207-23	1-7/16 in.											



UCSFL

Set screw lock stainless steel
2-bolt flange unit.



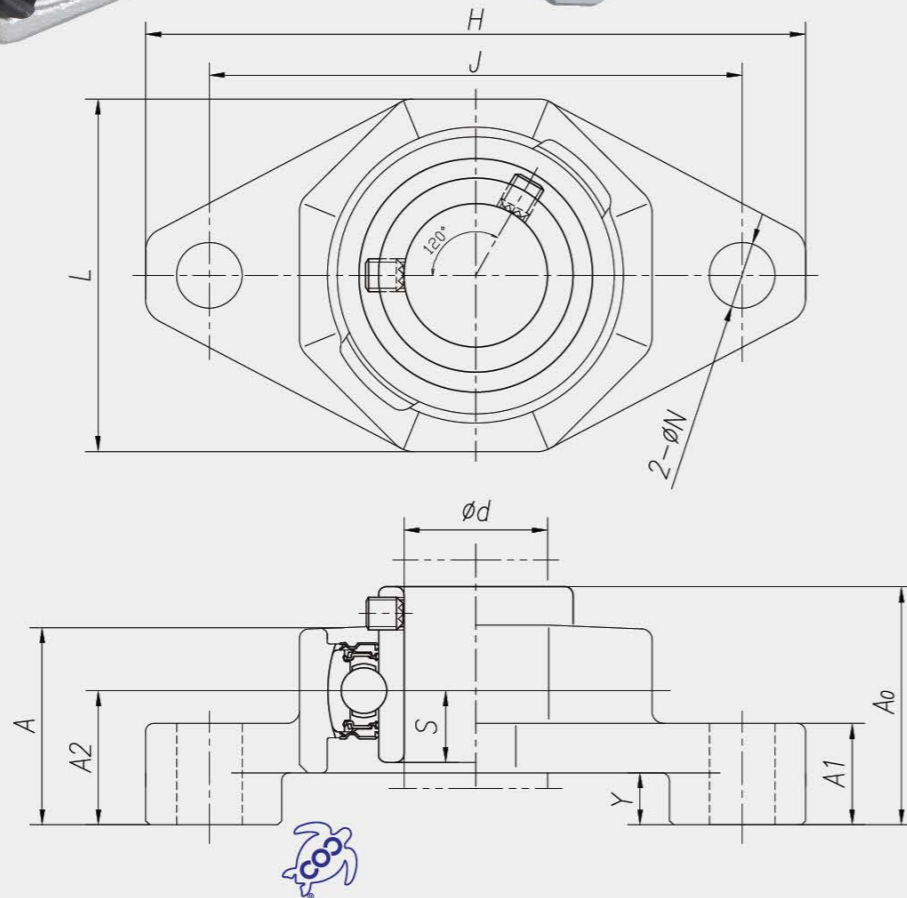
Unit Number	Shaft Dia. d	H	L	A	J	N	A1	A2	A0	S	Bolt Size	Weight
		in. mm	in. mm	in. mm	in. mm	in. mm	in. mm	in. mm	in. mm	in. mm	in. mm	lbs kg
UCSFL204-12M	12 mm											
UCSFL204-8	1/2 in.											
UCSFL204-15M	15 mm											
UCSFL204-10	5/8 in.	4-7/16 113	2-9/32 58	1-3/32 28	3-35/64 90	15/32 12	13/32 10	19/32 15	1-5/16 33.3	1/2 12.7	3/8 M10	1.25 0.57
UCSFL204-17M	17 mm											
UCSFL204-12	3/4 in.											
UCSFL204	20 mm											
UCSFL205-14	7/8 in.											
UCSFL205-15	15/16 in.	5-1/8 130	2-15/32 63	1-3/16 30	3-57/64 99	5/8 16	13/32 10	5/8 16	1-13/32 35.8	9/16 14.3	1/2 M14	1.56 0.71
UCSFL205	25 mm											
UCSFL205-16	1 in.											
UCSFL206-18	1-1/8 in.											
UCSFL206	30 mm	5-13/16 148	3 76	1-9/32 32.5	4-19/32 117	5/8 16	13/32 10	45/64 18	1-19/32 40.2	5/8 15.9	1/2 M14	2.33 1.06
UCSFL206-19	1-3/16 in.											
UCSFL206-20	1-1/4 in.											
UCSFL207-20	1- 1/4 in.											
UCSFL207-21	1-5/16 in.											
UCSFL207-22	1-3/8 in.	6-11/32 161	3-3/8 86	1-11/32 34	5-1/8 130	5/8 16	7/16 11	3/4 19	1-3/4 44.4	11/16 17.5	1/2 M14	2.93 1.33
UCSFL207	35 mm											
UCSFL207-23	1-7/16 in.											
UCSFL208-24	1-1/2 in.	6-7/8 175	3-11/16 94	1-15/32 37.5	5-43/64 144	5/8 16	15/32 12	53/64 21	2-3/64 51.2	3/4 19	1/2 M14	3.59 1.63
UCSFL208	40 mm											



UCSHFL



Set screw lock stainless steel
2-bolt flange stand-off unit.



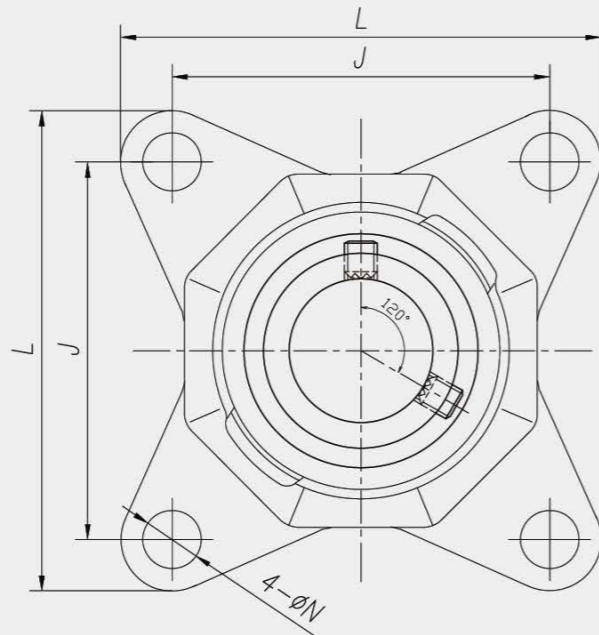
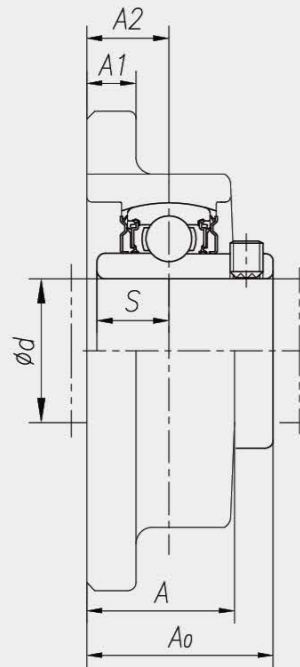
Unit Number	Shaft Dia. d	H	L	A	J	N	A1	A2	A0	S	Y	Bolt Size	Weight
		in. mm	in. mm	in. mm	in. mm	in. mm	in. mm	in. mm	in. mm	in. mm	in. mm	in. mm	in. mm
UCSHFL204-12M	12 mm	4-7/16 113	2-9/32 58	1-19/32 40.7	3-35/64 90	15/32 12	57/64 22.7	1-3/32 27.7	1-13/16 46	1/2 12.7	1/2 12.7	3/8 M10	1.74 0.79
UCSHFL204-8	1/2 in.												
UCSHFL204-15M	15 mm												
UCSHFL204-10	5/8 in.												
UCSHFL204-17M	17 mm												
UCSHFL204-12	3/4 in.												
UCSHFL204	20 mm												
UCSHFL205-14	7/8 in.	5-1/8 130	2-15/32 63	1-11/16 42.7	3-57/64 99	5/8 16	57/64 22.7	1-1/8 28.7	1-29/32 48.5	9/16 14.3	1/2 12.7	1/2 M14	2.12 0.98
UCSHFL205-15	15/16 in.												
UCSHFL205	25 mm												
UCSHFL205-16	1 in.	5-13/16 148	3 76	1-25/32 45.2	4-19/32 117	5/8 16	57/64 22.7	1-13/64 30.7	2-5/64 52.9	5/8 15.9	1/2 12.7	1/2 M14	2.60 1.18
UCSHFL206-18	1-1/8 in.												
UCSHFL206	30 mm												
UCSHFL206-19	1-3/16 in.												
UCSHFL206-20	1-1/4 in.	6-11/32 161	3-3/8 86	1-27/32 46.7	5-1/8 130	5/8 16	15/16 23.7	1-1/4 31.7	2-1/4 57.1	11/16 17.5	1/2 12.7	1/2 M14	3.23 1.47
UCSHFL207-20	1-1/4 in.												
UCSHFL207-21	1-5/16 in.												
UCSHFL207-22	1-3/8 in.												
UCSHFL207	35 mm												
UCSHFL207-23	1-7/16 in.												





UCSF

Set screw lock stainless steel 4-bolt flange unit.



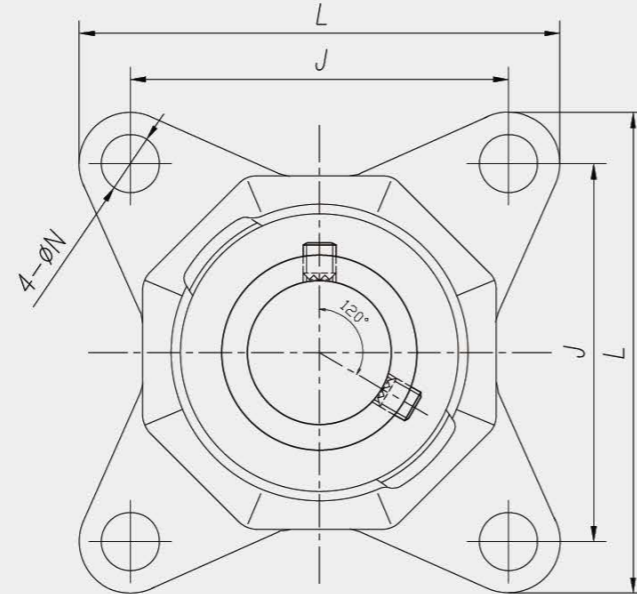
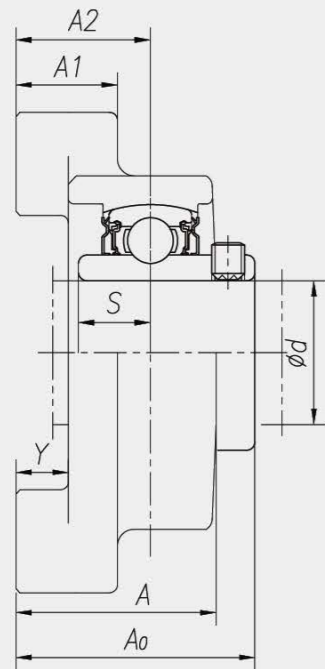
Unit Number	Shaft Dia. d	L	A	J	N	A1	A2	A0	S	Bolt Size	Weight
		in. mm	in. mm	in. mm	in. mm	in. mm	in. mm	in. mm	in. mm	in. mm	lbs kg
UCSF204-12M	12 mm										
UCSF204-8	1/2 in.										
UCSF204-15M	15 mm										
UCSF204-10	5/8 in.	3-3/8 86	1-3/32 28	2-33/64 64	15/32 12	13/32 10	19/32 15	1-5/16 33.3	1/2 12.7	3/8 M10	1.19 0.54
UCSF204-17M	17 mm										
UCSF204-12	3/4 in.										
UCSF204	20 mm										
UCSF205-14	7/8 in.										
UCSF205-15	15/16 in.	3-3/4 95	1-3/16 30	2-3/4 70	15/32 12	13/32 10	5/8 16	1-13/32 35.8	9/16 14.3	3/8 M10	1.52 0.69
UCSF205	25 mm										
UCSF205-16	1 in.										
UCSF206-18	1-1/8 in.										
UCSF206	30 mm	4-1/4 108	1-9/32 32.5	3-17/64 83	15/32 12	13/32 10	45/64 18	1-37/64 40.2	5/8 15.9	3/8 M10	2.20 1.00
UCSF206-19	1-3/16 in.										
UCSF206-20	1-1/4 in.										
UCSF207-20	1-1/4 in.										
UCSF207-21	1-5/16 in.										
UCSF207-22	1-3/8 in.	4-19/32 117	1-11/32 34	3-5/8 92	35/64 14	7/16 11	3/4 19	1-3/4 44.4	11/16 17.5	7/16 M12	2.77 1.26
UCSF207	35 mm										
UCSF207-23	1-7/16 in.										
UCSF208-24	1-1/2 in.	5-1/8 130	1-15/32 37.5	4-1/64 102	5/8 16	15/32 12	53/64 21	2-1/64 51.2	3/4 19	1/2 M14	3.76 1.71
UCSF208	40 mm										





UCSHF

Set screw lock stainless steel
4-bolt flange stand-off unit.



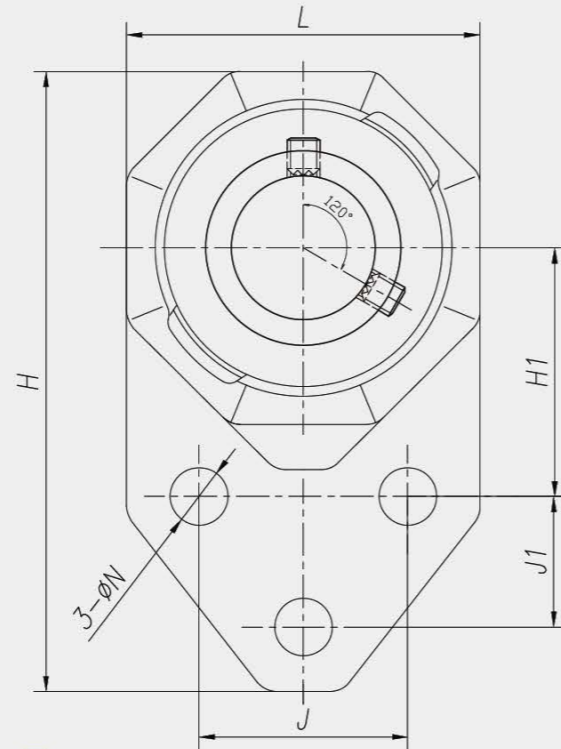
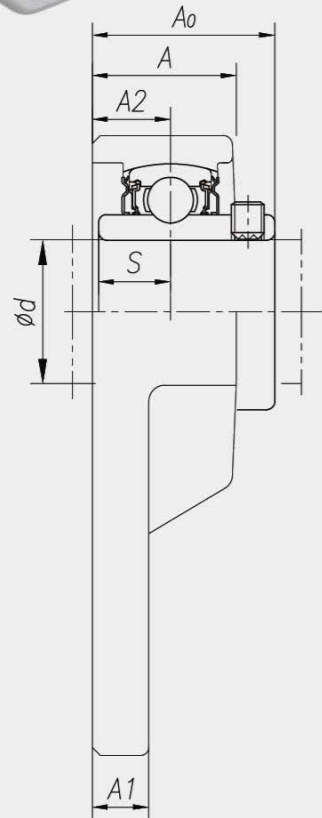
Unit Number	Shaft Dia. d	L	A	J	N	A1	A2	A0	S	Y	Bolt Size	Weight
		in. mm	in. mm	in. mm	in. mm	in. mm	in. mm	in. mm	in. mm	in. mm	in. mm	in. mm
UCSHF204-12M	12 mm											
UCSHF204-8	1/2 in.											
UCSHF204-15M	15 mm											
UCSHF204-10	5/8 in.	3-3/8 86	1-19/32 40.7	2-33/64 64	15/32 12	57/64 22.7	1-3/32 27.7	1-13/16 46	1/2 12.7	1/2 12.7	3/8 M10	1.54 0.70
UCSHF204-17M	17 mm											
UCSHF204-12	3/4 in.											
UCSHF204	20 mm											
UCSHF205-14	7/8 in.											
UCSHF205-15	15/16 in.	3-3/4 95	1-11/16 42.7	2-3/4 70	15/32 12	57/64 22.7	1-1/8 28.7	1-29/32 48.5	9/16 14.3	1/2 12.7	3/8 M10	2.07 0.94
UCSHF205	25 mm											
UCSHF205-16	1 in.											
UCSHF206-18	1-1/8 in.											
UCSHF206	30 mm	4-1/4 108	1-25/32 45.2	3-17/64 83	15/32 12	57/64 22.7	1-13/64 30.7	2-5/64 52.9	5/8 15.9	1/2 12.7	3/8 M10	2.84 1.29
UCSHF206-19	1-3/16 in.											
UCSHF206-20	1-1/4 in.											
UCSHF207-20	1-1/4 in.											
UCSHF207-21	1-5/16 in.											
UCSHF207-22	1-3/8 in.	4-19/32 117	1-27/32 46.7	3-5/8 92	35/64 14	15/16 23.7	1-1/4 31.7	2-1/4 57.1	11/16 17.5	1/2 12.7	7/16 M12	3.54 1.61
UCSHF207	35 mm											
UCSHF207-23	1-7/16 in.											
UCSHF208-24	1-1/2 in.	5-1/8 130	1-63/64 50.2	4-1/64 102	5/8 16	31/32 24.7	1-21/64 33.7	2-33/64 63.9	3/4 19	1/2 12.7	1/2 M14	4.82 2.19
UCSHF208	40 mm											





UCSFB

Set screw lock stainless steel
3-bolt flange unit.



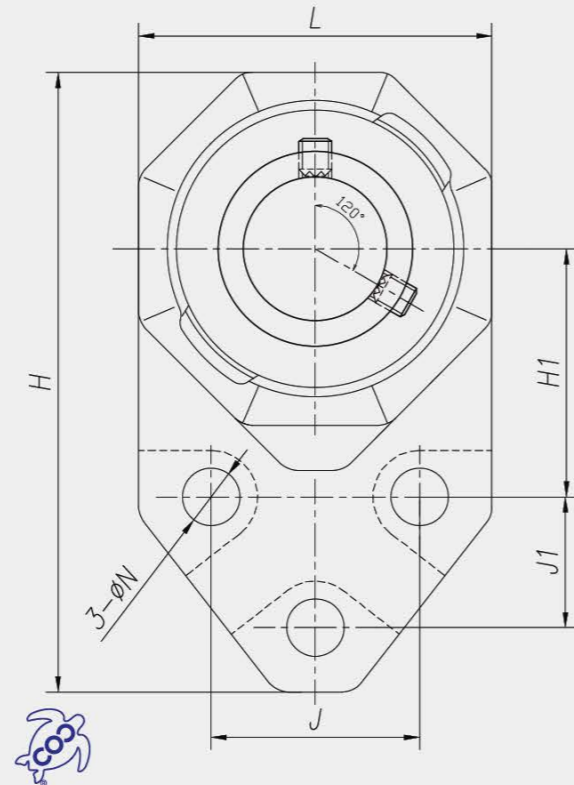
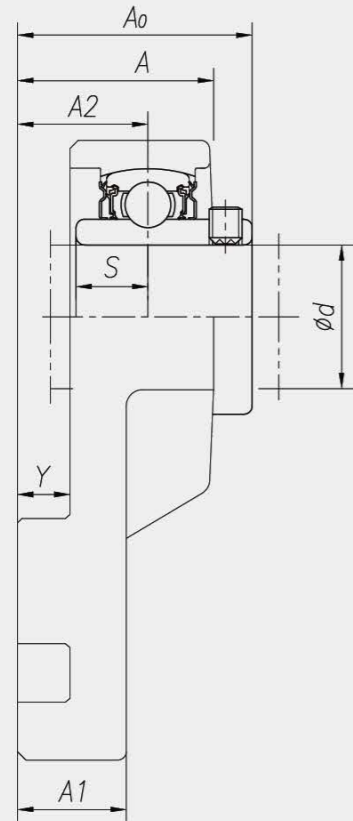
Unit Number	Shaft Dia. d	H	L	A	J	J1	H1	N	A1	A2	A0	S	Bolt Size	Weight
		in. mm	in. mm	in. mm	in. mm	in. mm	in. mm	in. mm	in. mm	in. mm	in. mm	in. mm	in. mm	in. mm
UCSFB204-12M	12 mm													
UCSFB204-8	1/2 in.													
UCSFB204-15M	15 mm													
UCSFB204-10	5/8 in.	4-1/8 105	2-9/32 58	1-3/64 26.5	1-1/2 38.1	7/8 22.2	1-11/16 42.9	15/32 12	5/16 8	17/32 13.5	1-1/4 31.8	1/2 12.7	3/8 M10	0.95 0.43
UCSFB204-17M	17 mm													
UCSFB204-12	3/4 in.													
UCSFB204	20 mm													
UCSFB205-14	7/8 in.													
UCSFB205-15	15/16 in.	4-39/64 117	2-15/32 63	1-9/64 29	1-5/8 41.3	1-1/8 28.6	1-13/16 46	15/32 12	13/32 10	19/32 15	1-3/8 34.8	9/16 14.3	3/8 M10	1.10 0.50
UCSFB205	25 mm													
UCSFB205-16	1 in.													
UCSFB206-18	1-1/8 in.													
UCSFB206	30 mm	5-15/64 133	3 76	1-15/64 31.5	1-7/8 47.6	1-1/4 31.8	2-1/16 52.4	15/32 12	13/32 10	21/32 17	1-35/64 39.2	5/8 15.9	3/8 M10	1.98 0.90
UCSFB206-19	1-3/16 in.													
UCSFB206-20	1-1/4 in.													
UCSFB207-20	1-1/4 in.													
UCSFB207-21	1-5/16 in.													
UCSFB207-22	1-3/8 in.	5-15/16 151	3-3/8 86	1-11/32 34	2 50.8	1-1/4 31.8	2-3/8 60.3	19/32 15	1/2 12.7	3/4 19	1-3/4 44.4	11/16 17.5	1/2 M14	2.95 1.34
UCSFB207	35 mm													
UCSFB207-23	1-7/16 in.													





UCSHFB

Set screw lock stainless steel
3-bolt stand-off flange unit.

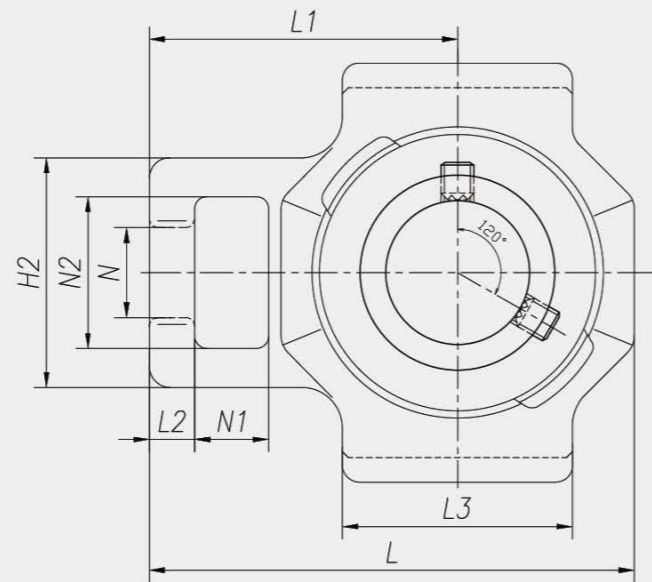
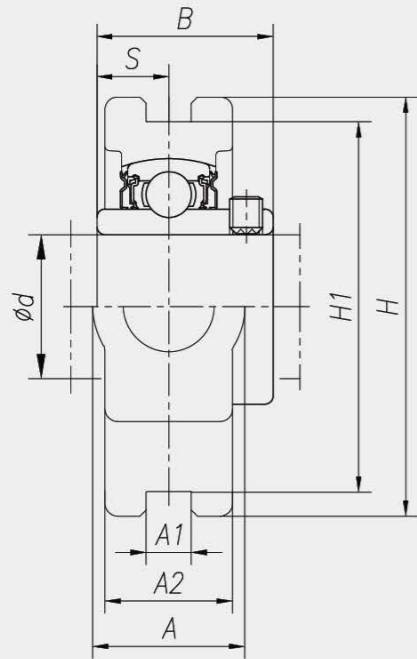


Unit Number	Shaft Dia. d	H	L	A	J	J1	H1	N	A1	A2	A0	S	Y	Bolt Size	Weight
		in. mm	in. mm	in. mm	in. mm	in. mm	in. mm	in. mm	in. mm	in. mm	in. mm	in. mm	in. mm	in. mm	in. mm
UCSHFB204-12M	12 mm														
UCSHFB204-8	1/2 in.														
UCSHFB204-15M	15 mm														
UCSHFB204-10	5/8 in.	4-1/8 105	2-9/32 58	1-35/64 39.2	1-1/2 38.1	7/8 22.2	1-11/16 42.9	15/32 12	13/16 20.7	1-1/32 26.2	1-3/4 44.5	1/2 12.7	1/2 12.7	3/8 M10	1.14 0.52
UCSHFB204-17M	17 mm														
UCSHFB204-12	3/4 in.														
UCSHFB204	20 mm														
UCSHFB205-14	7/8 in.														
UCSHFB205-15	15/16 in.	4-39/64 117	2-15/32 63	1-41/64 41.7	1-5/8 41.3	1-1/8 28.6	1-13/16 46	15/32 12	57/64 22.7	1-3/32 27.7	1-7/8 47.5	9/16 14.3	1/2 12.7	3/8 M10	1.34 0.61
UCSHFB205	25 mm														
UCSHFB205-16	1 in.														
UCSHFB206-18	1-1/8 in.														
UCSHFB206	30 mm	5-15/64 133	3 76	1-3/4 44.2	1-7/8 47.6	1-1/4 31.8	2-1/16 52.4	15/32 12	57/64 22.7	1-11/64 29.7	2-3/64 51.9	5/8 15.9	1/2 12.7	3/8 M10	2.29 1.04
UCSHFB206-19	1-3/16 in.														
UCSHFB206-20	1-1/4 in.														
UCSHFB207-20	1-1/4 in.														
UCSHFB207-21	1-5/16 in.														
UCSHFB207-22	1-3/8 in.	5-15/16 151	3-3/8 86	1-27/32 46.7	2 50.8	1-1/4 31.8	2-3/8 60.3	19/32 15	1 25.4	1-1/4 31.7	2-1/4 57.1	11/16 17.5	1/2 12.7	1/2 M14	3.43 1.56
UCSHFB207	35 mm														
UCSHFB207-23	1-7/16 in.														



UCST

Set screw lock stainless steel take-up unit.

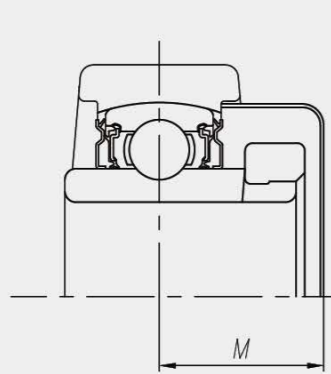
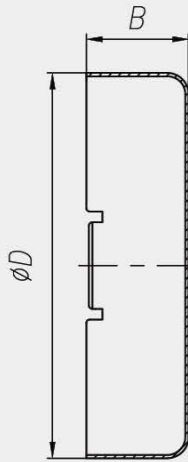


Unit Number	Shaft Dia. d	A	A1	A2	H	H1	H2	L	L1	L2	L3	N	N1	N2	B	S	Weight	
		in. mm	in. mm	in. mm	in. mm	in. mm	in. mm	in. mm	in. mm	in. mm	in. mm	in. mm	in. mm	in. mm	in. mm	in. mm	in. mm	lbs kg
UCST205-14	7/8 in.																	
UCST205-15	15/16 in.	1-1/4 32	15/32 12	31/32 25	3-1/2 89	2-63/64 76	1-13/16 46	3-19/32 91.5	2-3/8 60	11/32 9	1-23/32 44	3/4 19	23/32 18	1-1/4 32	1-11/32 34.1	9/16 14.3	1.91 0.87	
UCST205	25 mm																	
UCST205-16	1 in.																	
UCST206-18	1-1/8 in.																	
UCST206	30 mm																	
UCST206-19	1-3/16 in.	1-15/32 37	15/32 12	1-1/16 27	4-1/32 102	3-1/2 89	2-1/16 52	4-1/8 105	2-5/8 67	11/32 9	1-31/32 50	7/8 22	23/32 18	1-15/32 37	1-1/2 38.1	5/8 15.9	2.62 1.19	
UCST206-20	1-1/4 in.																	
UCST207-20	1-1/4 in.																	
UCST207-21	1-5/16 in.																	
UCST207-22	1-3/8 in.	1-15/32 37	15/32 12	1-7/32 31	4-1/32 102	3-1/2 89	2-7/32 56	4-21/32 118	2-15/16 75	7/16 11	2-7/32 56	7/8 22	23/32 18	1-15/32 37	1-11/16 42.9	11/16 17.5	3.59 1.63	
UCST207	35 mm																	
UCST207-23	1-7/16 in.																	

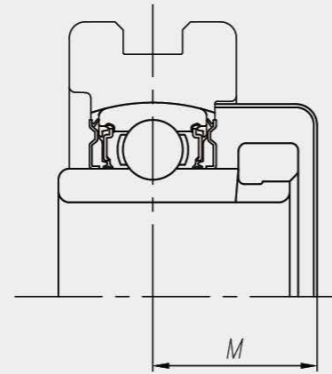


Stainless steel safety cover

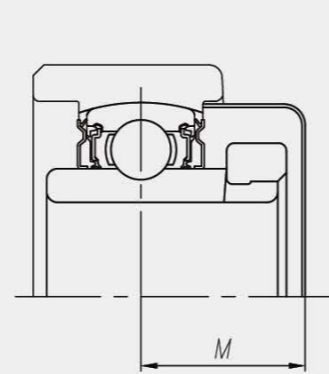
It has two little tabs that fit into the bearing slots on the front of housing. Just twist the cover until it clicks to lock.



SP, SHP, SPA, SHPA
Pillow Block units



ST
Take-up units



SF, SHF, SFL, SHFL, SFB, SHFB
Flange units

Cover Number	D	B	M
	in. mm	in. mm	in. mm
SD04	1-27/32 46.5	19/32 15	31/32 24
SD05	2-1/32 51.5	5/8 16	1-1/32 26
SD06	2-7/16 61.5	11/16 17	1-3/32 27.5
SD07	2-13/16 71.5	3/4 19	1-7/32 30.5
SD08	3-1/8 79.5	29/32 23	1-3/8 35



Saniline Installation

1. Ensure that the shaft is clean, free from burrs, straight and proper diameter.
2. Bolt the housing tightly to its mounting supports using an appropriately sized fastener and suggested bolt torque below. (MOUNTING BOLTS TOUQE TABLE)
3. Lock the bearing to the shaft by tightening each locking collar set screw incrementally to suggested touque levels below. (OCCLOC™ SET SCREW TORQUE TABLE)

SHAFT TOLERANCES

Shaft Dia.		OCS Shaft Tolerance (h9)		UCS Shaft Tolerance (h7)	
Over in. (mm)	Incl. in. (mm)	Max. in. (mm)	Min. in. (mm)	Max. in. (mm)	Min. in. (mm)
0.472 (12)	0.708 (18)	0.000 (0)	-0.0017 (-0.043)	0.000 (0)	-0.0007 (-0.018)
0.708 (18)	1.181 (30)	0.000 (0)	-0.0020 (-0.052)	0.000 (0)	-0.0008 (-0.021)
1.181 (30)	1.968 (50)	0.000 (0)	-0.0024 (-0.062)	0.000 (0)	-0.0010 (-0.025)

SET SCREW TORQUE TABLE

Bearing Number	Setscrew	Torque
UCS204	M5x0.8	30.9 in-lbs (3.5 Nm)
OCS204	M6x0.75	40.6 in-lbs (4.6 Nm)
OCS205 UCS205	M6x0.75	40.6 in-lbs (4.6 Nm)
OCS206 UCS206	M6x0.75	40.6 in-lbs (4.6 Nm)
OCS207 UCS207	M8x1	86.3 in-lbs (9.8 Nm)
OCS208 UCS208	M8x1	86.3 in-lbs (9.8 Nm)

MOUNTING BOLTS TORQUE TABLE

Bolt Size	Torque
3/8 in. (M10)	168 in-lbs (19 Nm)
7/16 in. (M12)	292 in-lbs (33 Nm)
1/2 in. (M14)	397 in-lbs (45 Nm)

BASIC LOAD RATINGS

Bearing Number	Dynamic Cr		Static Cor	
	lbs	kN	lbs	kN
204	2497	11.1	1217	5.41
205	2745	12.2	1462	6.5
206	3757	16.7	1867	9.11
207	4927	21.9	2812	12.5
208	5602	24.9	3262	14.5

ALLOWABLE ROTATING TOP SPEED

Bearing Number	Speed (RPM)
204	4387
205	3900
206	3262
207	2850
208	2437