



SRB



UNITIZED SPHERICAL ROLLER BEARING UNITS

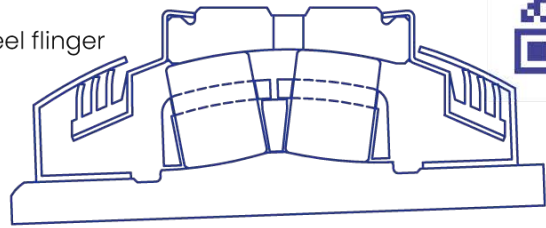


COO

Non-expansion to expansion by moving snap ring

Contact seal allows up to +/- 2° of misalignment.

Stainless steel flinger



Triple lip seals allow for dynamic misalignment

Durable one piece cast-iron housing with solid foot design

Two distinct locking systems are available. CROSSLOC™ adapter mount and setscrew collar mount

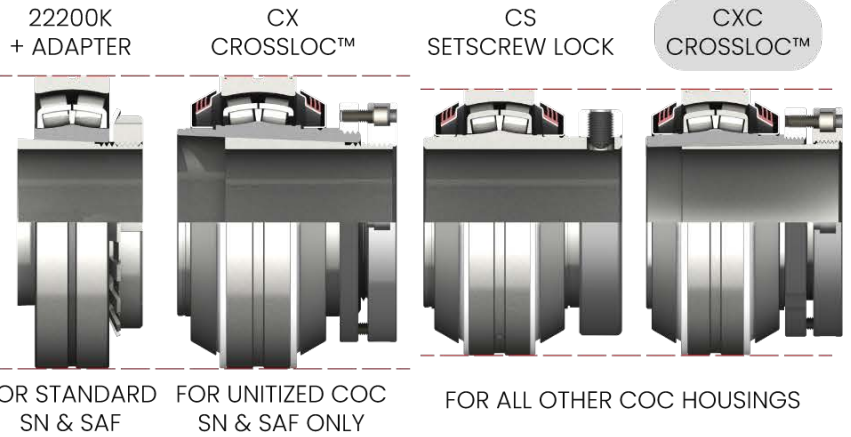
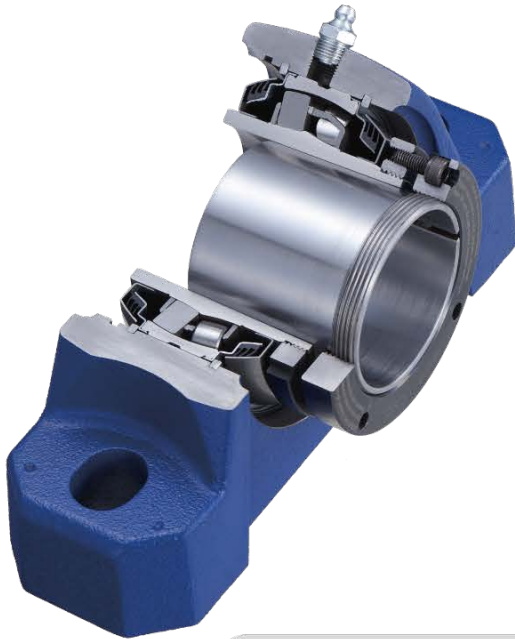
Same dimensions as SN5 or SAF plummer block

CROSSLOC™

Easy Mount & Dismount
Patented Adapter Mount
Locking System

CROSSLOC™ CXC

Same O.D. size version as CS setscrew lock



Scan QR code to connect to the information on site.

